



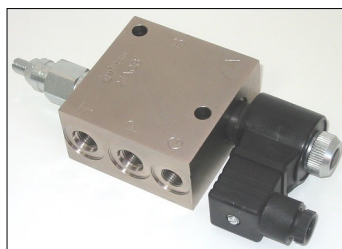
# ETD24ACS QUICK HITCH VALVES

**The Hyteco ETD24ACS Quick Hitch Valve is designed to be easily installed into new or existing quick hitch systems to prevent high hydraulic pressure damage to the lock mechanism.**

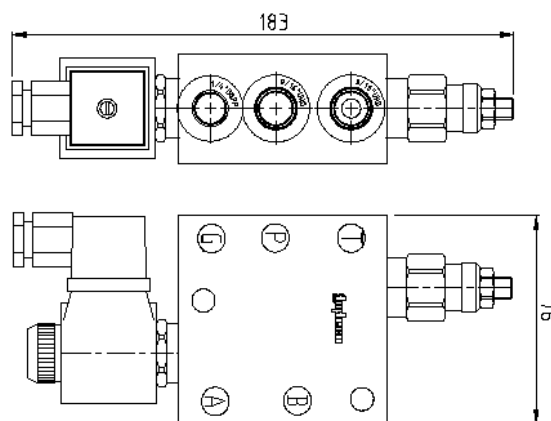
**Our range are ideal for installing low pressure lock release actuators into high pressure systems, protected by a built-in pressure reducing valve. Various models are available with additional features, such as Power Tilt control.**

## Features:

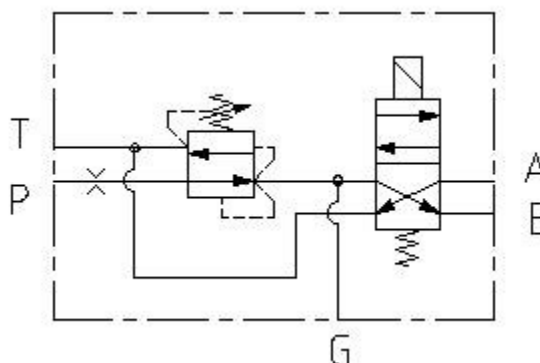
- The valve provides a way of changing the buckets and attachments on excavators (cylinder not included)
- They have a pressure reducing valve on the input line to control the output pressure to the two position solenoid valve.
- Steel body (electroless nickel plated)



Low Pressure

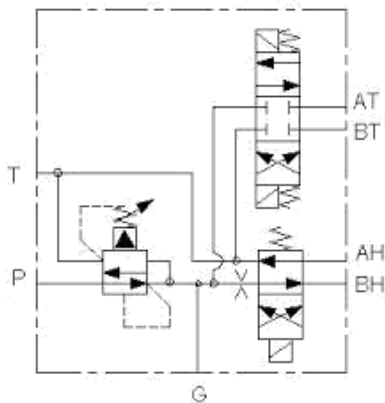


ETD24ACS Layout



ETD24ACS Circuit

Also available Quick Hitch with Tilt:



## TECHNICAL SPECIFICATIONS

Maximum Input Press.	420 bar
Output Pressure Range	35 - 90 Bar
Rated Flow	12 l/min
Main Ports	9/16" UNO
Gauge Port	1/4" BSPP
Body	Electroless Nickel Plated Steel
Voltage Options	12 & 24VDC
Mounting	2 x 8.8mm holes
Weight	2.5 kgs



More info? Go to our website  
[www.hyteco.com.au](http://www.hyteco.com.au) to see  
 our complete range of  
 Standard Products.

**Hyteco (Aust) Pty Ltd**  
 59 Kremzow Rd Brendale Qld 4500  
 phone: 07 3881 3312 fax: 07 3881 3314  
 email: [sales@hyteco.com.au](mailto:sales@hyteco.com.au) web: [www.hyteco.com.au](http://www.hyteco.com.au)