

HOIST SAFETY VALVE - HYT3475-10

Protection from hydraulic hose failure on truck tippers, dog trailers, grain tippers, and any load hauling vehicle that uses a tipping hoist to raise and tip a load, is a vital safety requirement. A sudden drop of a tipping bin or trailer, due to a hose bursting, is capable of causing serious injury, permanent disability or even death.

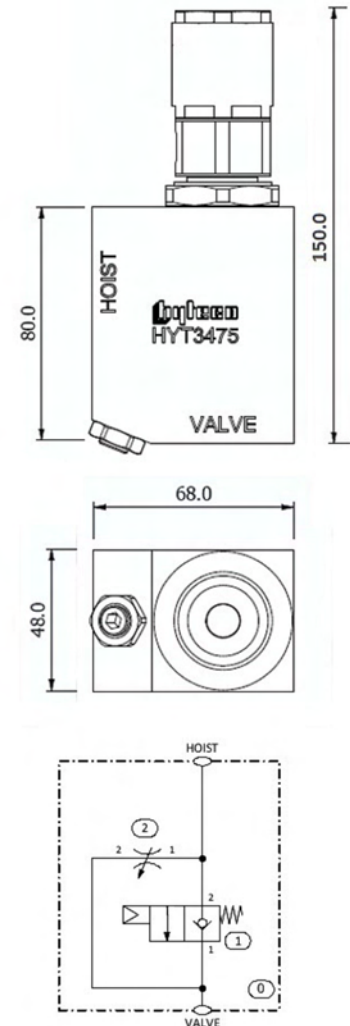
In the event of a sudden drop in hoist pressure, the Hyteco Hoist Safety Valve will prevent a tipping hoist from lowering, protecting the driver and operator from possible harm and the truck and trailer from likely damage.

DESCRIPTION:

- The Hyteco HYT3475-10 Hoist Safety Valve is a compact air piloted normally closed poppet check valve specifically designed to hold the load of a tipper hoist cylinder in the event of a hose failure.
- The Hoist Safety Valve is directly mounted to the hoist cylinder port, being hard connected between the hoist cylinder and the normal hoist control valve, ensuring true hose burst safety protection.

OPERATION:

- Raising the hoist cylinder is controlled by the air piloted hoist control valve, which directs oil from the pump to the hoist cylinder, as normal, via the free-flow check in the Hoist Safety Valve.
- Lowering the hoist cylinder is controlled by the air piloted hoist control valve, whereas the same air supply simultaneously pilot opens the check in the Hoist Safety Valve, allowing oil from the hoist cylinder to return to the tank, as normal. Emergency lowering is via a manual override screw.
- Holding the hoist cylinder up in the required position is primarily and safely maintained by the Hoist Safety Valve, that is, until the air piloted hoist control valve is operated to raise or lower, as above.



TECHNICAL SPECIFICATIONS

Rated flow	150 l/min nominal
Max. pressure	210 bar, 3000 psi based on Alum body
Max. leakage	0.15 cc/min (3 drops/min) @ 350 bar
Manual override	Screw shut-off with locknut
Main ports	1" BSPP Valve and Hoist
Air input port	1/8" BSPP



More info? Go to our website
www.hyteco.com.au to see
 our full product range