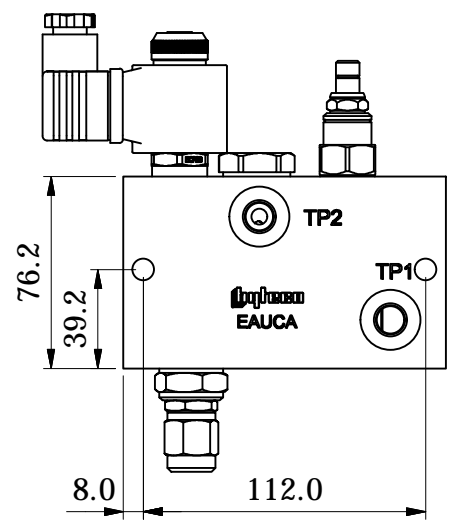
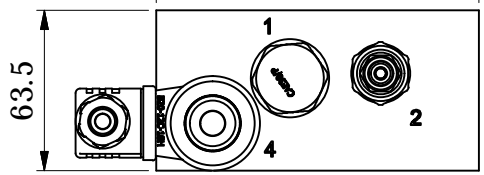
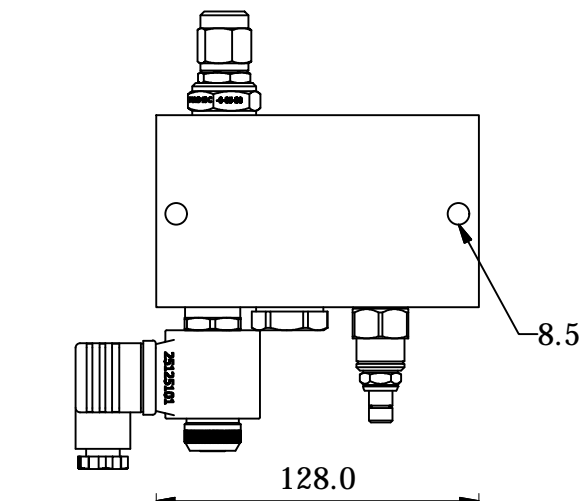
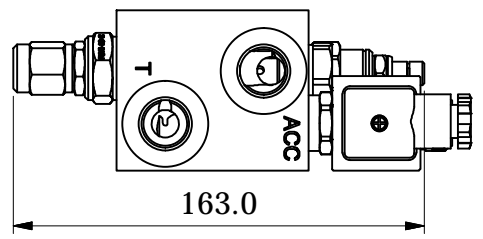
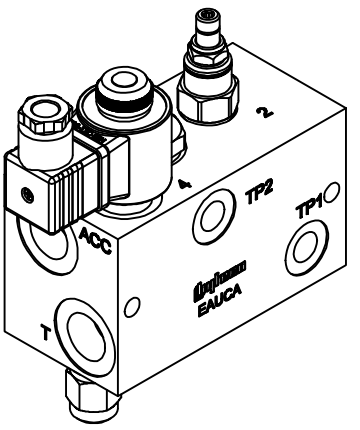


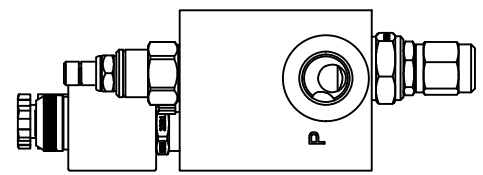
ACC.UNLOADING VALVE 60 L/MIN

59 Kremzow Rd, Brendale, QLD, Australia 4500
 Tel: +61 7 3881 3312, Fax: +61 7 3881 3314
 Email: sales@hyteco.com.au
 Web: www.hyteco.com.au



PRESSURE RANGE: 10 - 210 BAR
 RATED FLOW: 60 L/MIN

UNLOADING PRESSURE: 85% OF THE
 LOADING PRESSURE

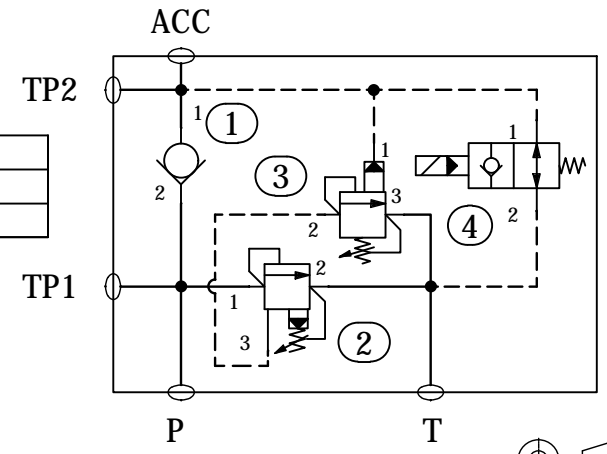


Ordering Code	Approx. Weight (kg)
EAUCA-P38A	1.706 kg

Material: D: DUCT. IRON
 S: STEEL
 Voltage: A: 12 VDC
 B: 24 VDC
 C: 120 VAC
 D: 240 VAC

↑ Voltage
 ↑ Series
 ↑ Material

PORT NAME	SIZE
ACC, P, T	1/2" BSPP
TP1, TP2	1/4" BSPP



Other styles made to order, prices available upon application.
 Details above are subject to change without notification.