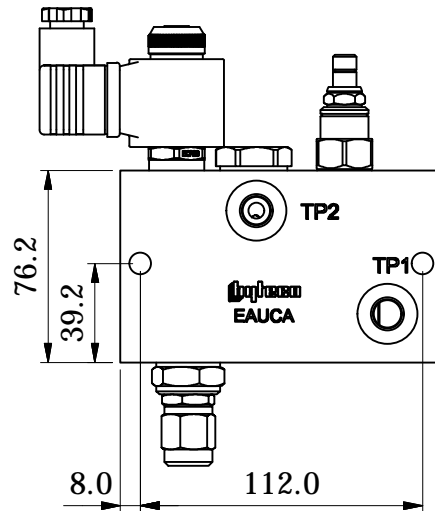
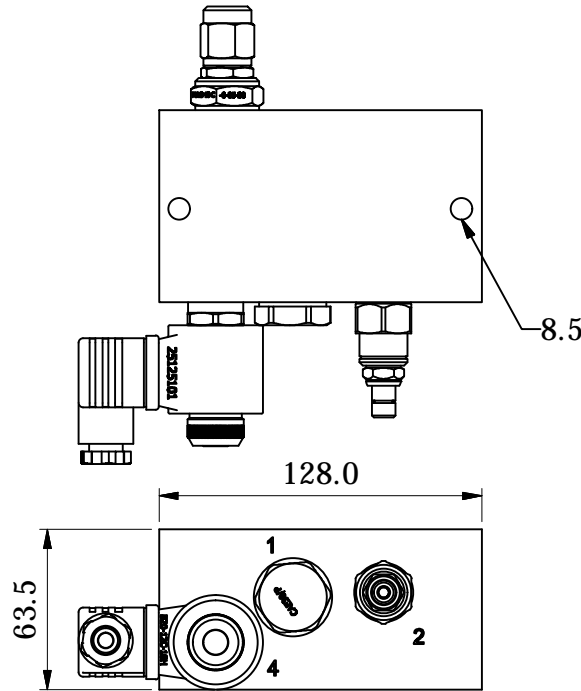
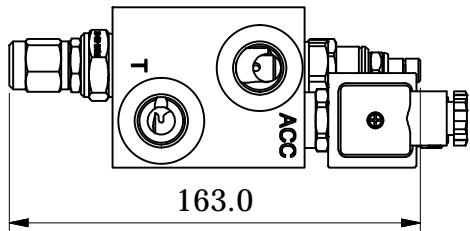
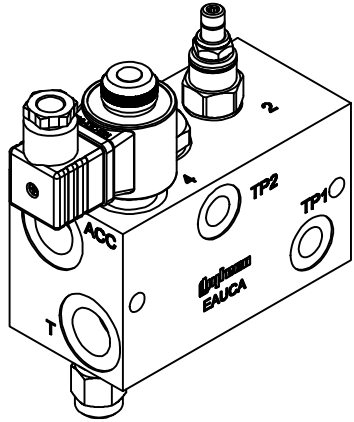


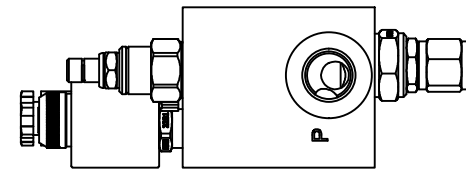
# ACC.UNLOADING VALVE 60 L/MIN

59 Kremzow Rd, Brendale, QLD, Australia 4500  
 Tel: +61 7 3881 3312, Fax: +61 7 3881 3314  
 Email: sales@hyteco.com.au  
 Web: www.hyteco.com.au



PRESSURE RANGE: 10 - 210 BAR  
 RATED FLOW: 60 L/MIN

UNLOADING PRESSURE: 85% OF THE  
 LOADING PRESSURE



Ordering Code	Approx. Weight (kg)
EAUCA-P38A	1.706 kg

Material: D: DUCT. IRON  
 S: STEEL  
 Voltage: A: 12 VDC  
 B: 24 VDC  
 C: 120 VAC  
 D: 240 VAC

↑ Voltage  
 ↑ Series  
 ↑ Material

PORT NAME	SIZE
ACC, P, T	1/2" BSPP
TP1, TP2	1/4" BSPP

