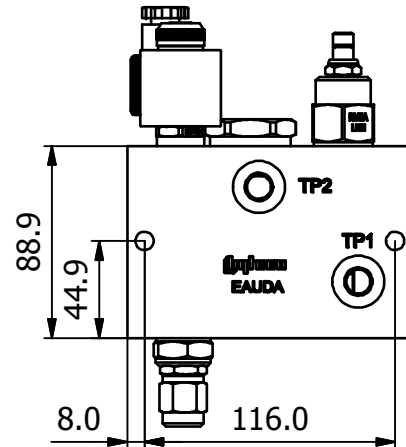
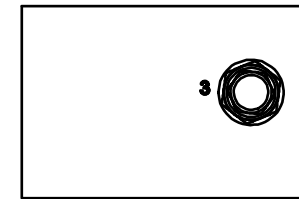
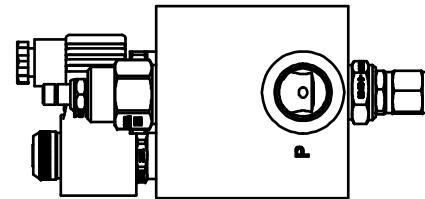
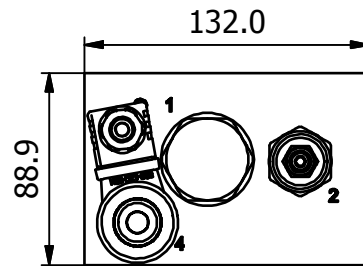
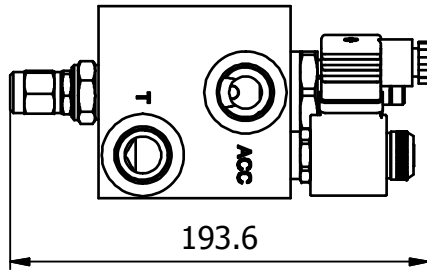
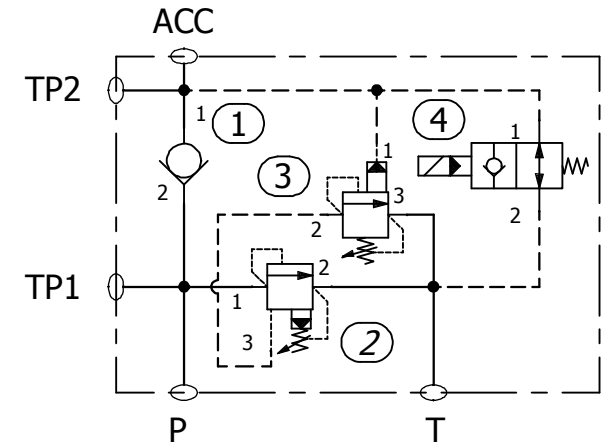


PORT NAME	DESCRIPTION
ACC, P, T	3/4" BSPP
TP1, TP2	1/4" BSPP



PART NUMBERS:

EAUDA-P38\*

\*= A: 12VDC, B: 24VDC, C: 110VAC, D: 240VAC

PRESSURE RANGE: 10 - 210 BAR

RATED FLOW: 120 L/MIN

UNLOADING PRESSURE = 85% OF THE LOADING PRESSURE

MATERIAL: ALUMINIUM

THIS DOCUMENT CONTAINS PROPRIETARY INFORMATION AND SUCH INFORMATION MAY NOT BE DISCLOSED TO OTHERS FOR ANY PURPOSE OR USED FOR MANUFACTURING PURPOSES WITHOUT THE WRITTEN PERMISSION OF HYTECO (AUST.) PTY LTD  
**IF IN DOUBT ASK**

COMPANY:  
**HYTECO (AUST.) PTY LTD**

No.	REVISION DETAILS	DATE	BY	CHKD
1				
2				

ALL DIMENSIONS IN mm.  
GENERAL TOLERANCE:  
DIMENSIONS - 0.0 TO BE ± 0.2mm  
DIMENSIONS - 0.00 TO BE ± 0.02mm  
ANGLES - 0.0° TO BE ± 0.5°  
SURFACE FINISH:  
ALL EXTERNAL SURFACES TO BE: 3.2  
ALL INTERNAL SURFACES TO BE: 0.8  
REMOVE ALL SHARP EDGES



DATE: 29/01/2008

DRAWN: ML

CHECKED: AB

SCALE: NTS

LAST REV.

DESCRIPTION:  
ACC.UNLOADING VALVE 120 L/MIN, 12VDC

**hyteco** (AUST.) PTY LTD  
...EXCELLENCE IN FLUID POWER TECHNOLOGY A.C.N.010-747-421

PAGE: 1 OF 1

PART No.  
EAUDA-P38A

DWG No. **A4**  
3130