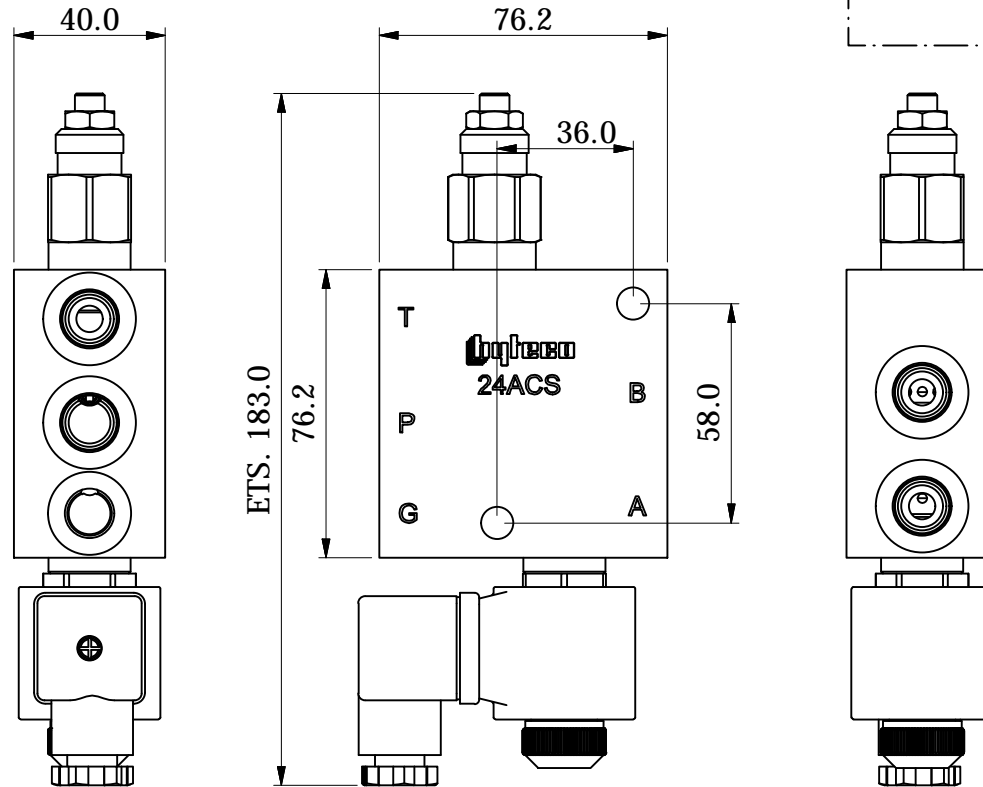
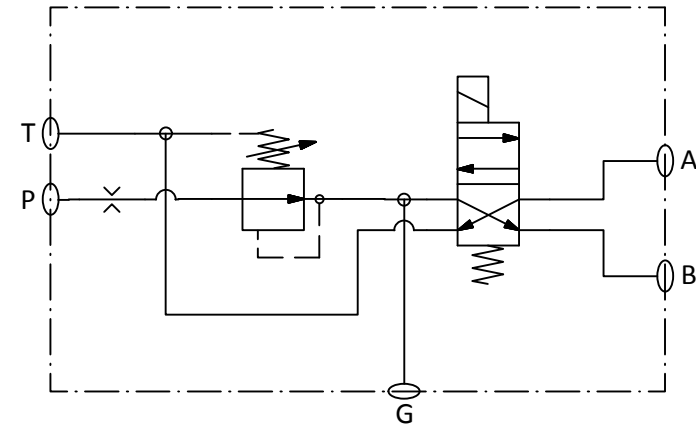
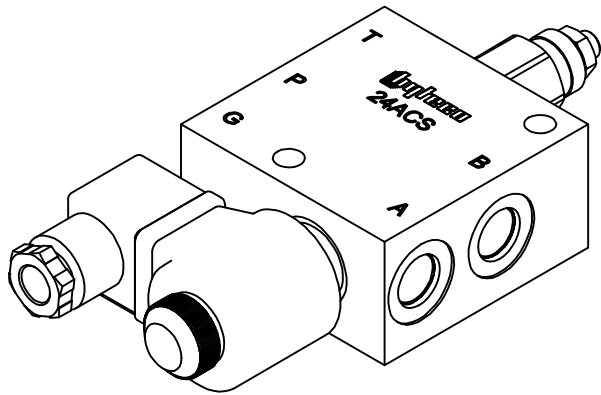
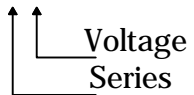


QUICK HITCH VALVE

Max pressure: 315 bar, Reducing 35-90 bar
 Capacity: 30 L/min.
 Ports: P,T,A,B : #6 SAE (9/16" UNO)
 G : G 1/4"-19 BSPP
 Mounting: 8.5mm THROUGH



Ordering Code	Approx. Weight (kg)
ETD24ACS-10A	2.161 kg



Voltage: A: 12 VDC
 B: 24 VDC

