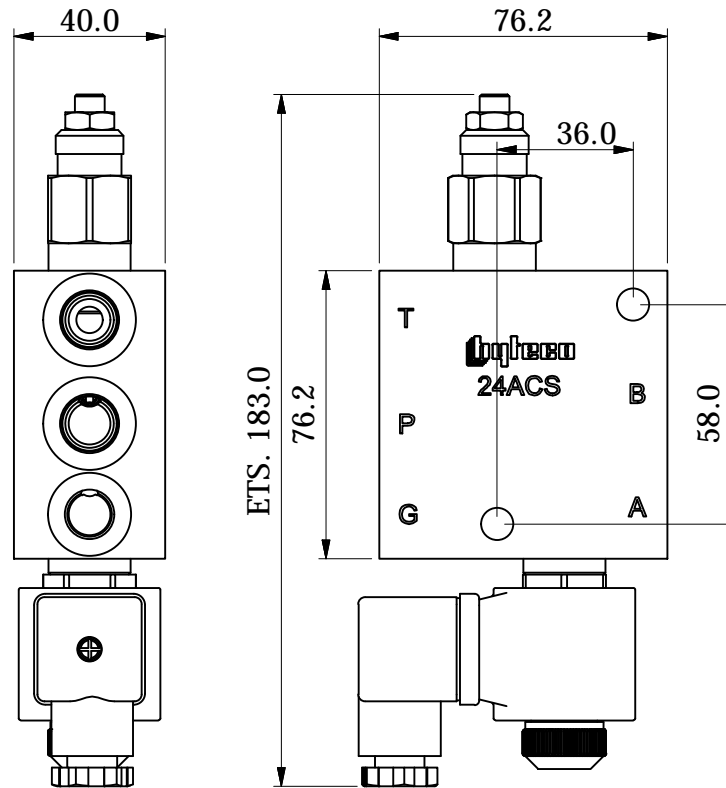
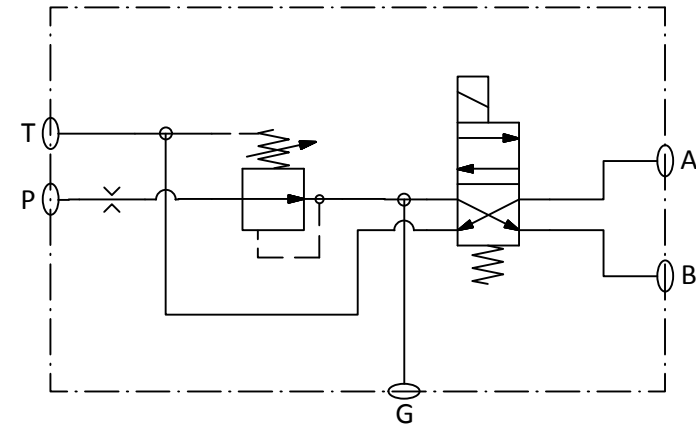
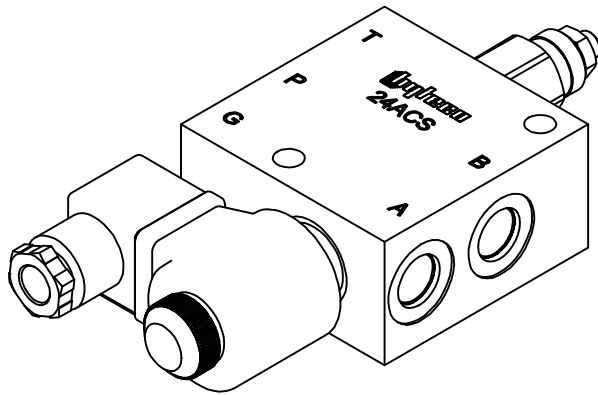


QUICK HITCH VALVE

59 Kremzow Rd, Brendale, QLD, Australia 4500
 Tel: +61 7 3881 3312, Fax: +61 7 3881 3314
 Email: sales@hyteco.com.au
 Web: www.hyteco.com.au

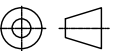
Max pressure: 315 bar, Reducing 35-90 bar
 Capacity: 30 L/min.
 Ports: P,T,A,B : #6 SAE (9/16" UNO)
 G : G 1/4"-19 BSPP
 Mounting: 8.5mm THROUGH



Ordering Code	Approx. Weight (kg)
ETD24ACS-10A	2.161 kg

Voltage Series

Voltage: A: 12 VDC
 B: 24 VDC



DWG. 6566 (A)
 9/03/2016