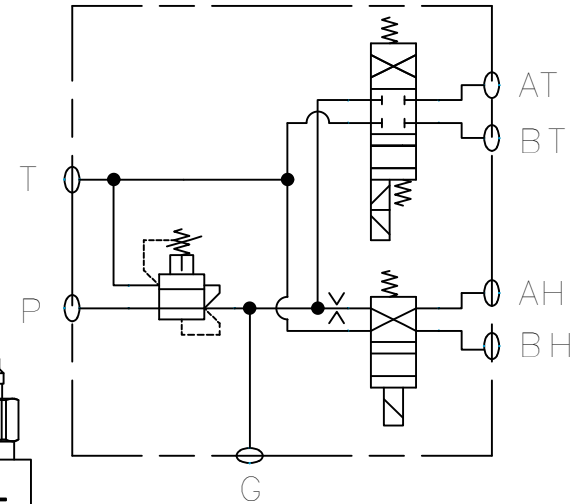
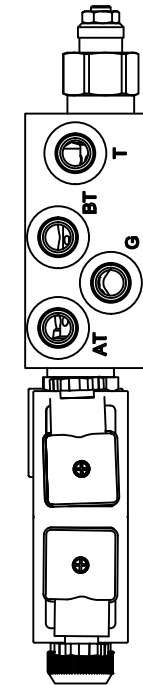
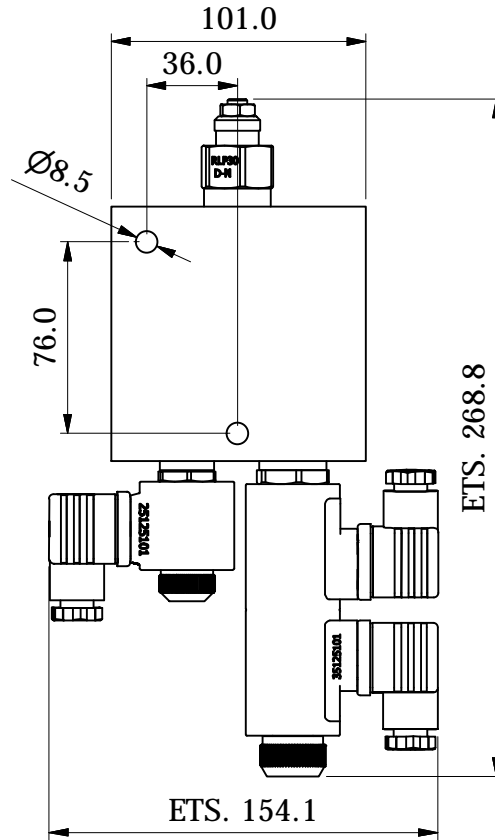
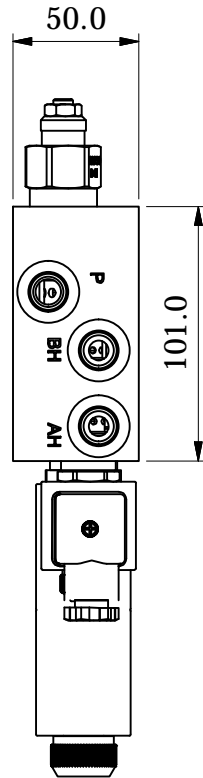
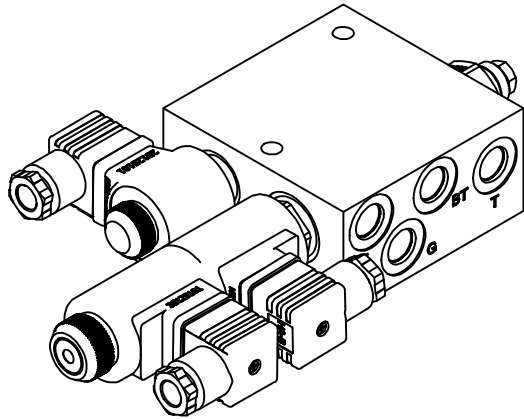


QUICK HITCH / TILT MANIFOLD

59 Kremzow Rd, Brendale, QLD, Australia 4500
 Tel: +61 7 3881 3312, Fax: +61 7 3881 3314
 Email: sales@hyteco.com.au
 Web: www.hyteco.com.au

Max pressure: 350 bar, Red/Relieving 10-210 bar
 Capacity: 30 L/min.
 Ports: ALL #6 SAE (9/16" UNO)
 Mounting: 8.5mm THROUGH



Ordering Code	Approx. Weight (kg)
ETD34ABOS-10A	4.087 kg

Voltage Series
 Voltage: A:12 VDC
 B:24 VDC