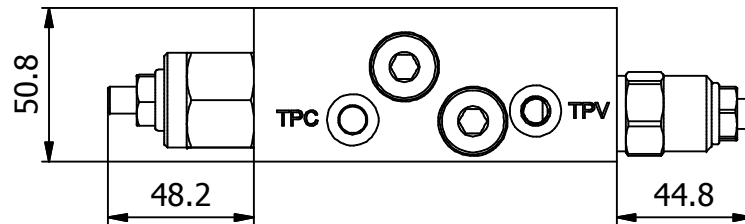
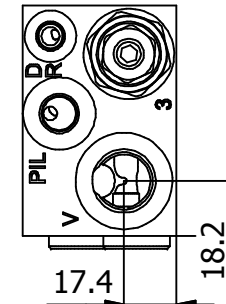
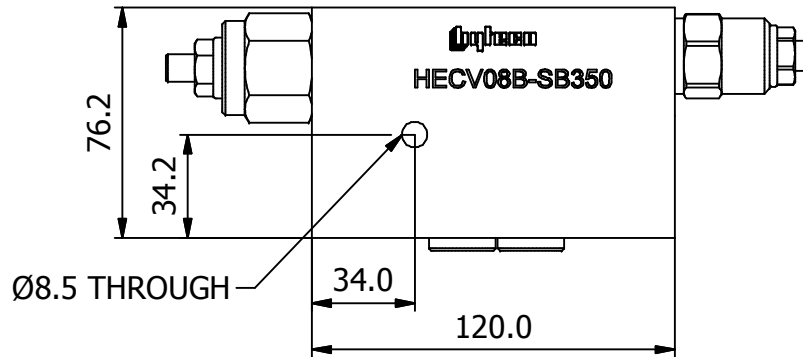
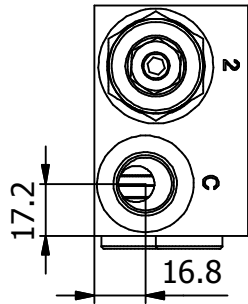
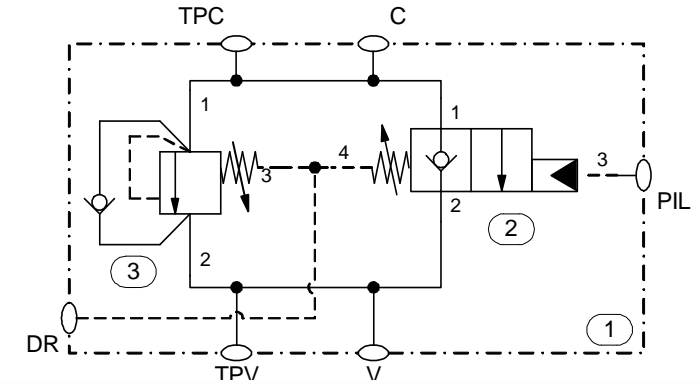


MATERIAL: STEEL/DUCTILE IRON

ITEM ID	PORT SIZE	DESCRIPTION
C, V	G 1/2"-14	1/2" BSPP
DR, PIL	G 1/4"-19	1/4" BSPP
TPC, TPV	G 1/8"-28	1/8" BSPP



RECOMMENDED WORKING PRESSURE 350 Bar

HYTECO EARTHMOVING CRANE MANIFOLD
1/2" BSPP
PART NUMBER HECV08B-SB350

THIS DOCUMENT CONTAINS PROPRIETARY INFORMATION AND SUCH INFORMATION MAY NOT BE DISCLOSED TO OTHERS FOR ANY PURPOSE OR USED FOR MANUFACTURING PURPOSES WITHOUT THE WRITTEN PERMISSION OF HYTECO (AUST.) PTY LTD
IF IN DOUBT ASK

COMPANY:
HYTECO (AUST.) PTY LTD

No.	REVISION DETAILS	DATE	BY	CKD
1				
2				

Whilst every effort is made for the accuracy of the drawing Hyteco cannot be held responsible for any errors or omissions.
Hyteco reserves the right to change the specifications without notice



DATE: 11/03/2010
DRAWN: ML
CHECKED: AB
SCALE: NTS
LAST REV.

DESCRIPTION:
HYTECO EARTHMOVING CRANE VALVE 1/2" BSPP

PAGE: 1 OF 1
PART No. HECV08B-SB350
DWG No. 4038

A4