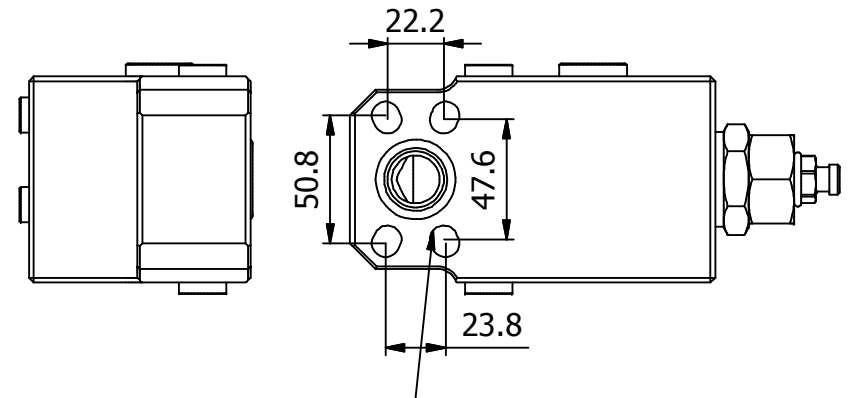
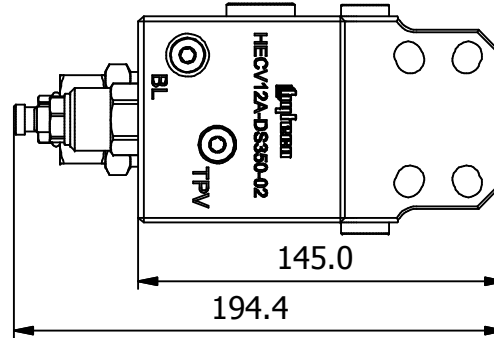
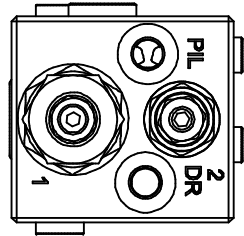
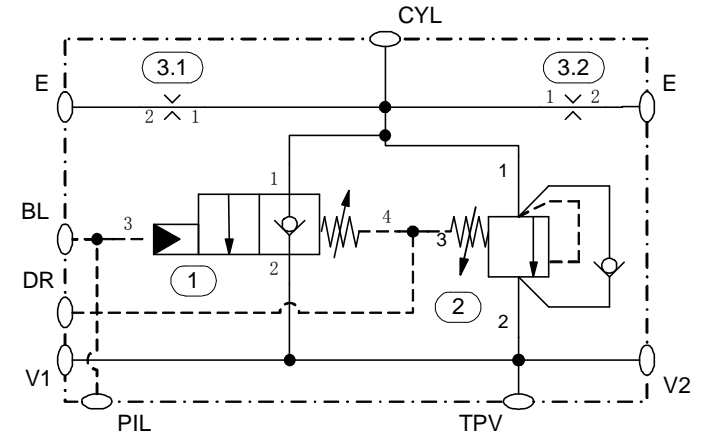
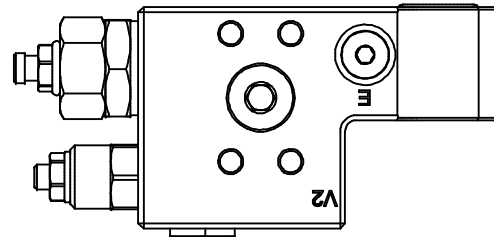
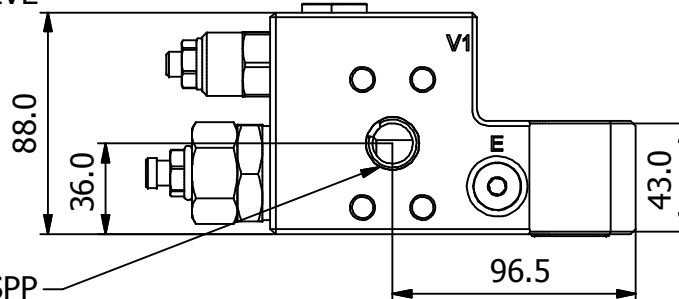


ITEM ID	PORT SIZE
E, PIL, DR	G 1/4"-19 (BSPP)
BL, TPV	G 1/8"-28 (BSPP)
V1, V2	3/4" SAE Code 62 or G 1/2"-14 (BSPP)
CYL	3/4" SAE Code 62 or 61



HYTECO EARTHMOVING CRANE VALVE  
 3/4"SAE-62  
 PART NUMBER: HECV12-SS350-02

CYLINDER INTERFACE: 3/4" SAE-62  
 THREAD: M10x1.5  
 ALTERNATIVE: 3/4" SAE-61



RECOMMENDED WORKING PRESSURE 350 Bar  
 RECOMMENDED BOLT TORQUE RATING FOR  
 SHCS M10x1.5 IS 77 Nm

3/4" SAE-62 OR 1/2" BSPP  
 THREAD: M10x1.5

THIS DOCUMENT CONTAINS PROPRIETARY INFORMATION AND SUCH INFORMATION MAY NOT BE DISCLOSED TO OTHERS FOR ANY PURPOSE OR USED FOR MANUFACTURING PURPOSES WITHOUT THE WRITTEN PERMISSION OF HYTECO (AUST.) PTY LTD  
**IF IN DOUBT ASK**

COMPANY:  
 HYTECO (AUST.) PTY LTD

No.	REVISION DETAILS	DATE	BY	CKD
1				
2				

Whilst every effort is made for the accuracy of the drawing Hyteco cannot be held responsible for any errors or omissions.

Hyteco reserves the right to change the specification without notice

DATE: 12/11/2009  
 DRAWN: ML  
 CHECKED: AB  
 SCALE: NTS  
 LAST REV.

DESCRIPTION:  
 HYTECO EARTHMOVING CRANE VALVE  
 3/4" SAE-62



PAGE: 1 OF 1

PART No.  
 HECV12A-SS350-02

DWG No.  
 4310

A4