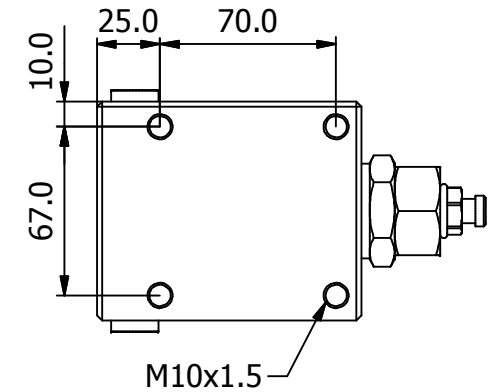
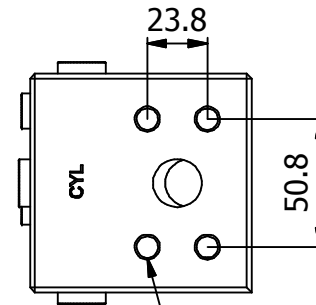
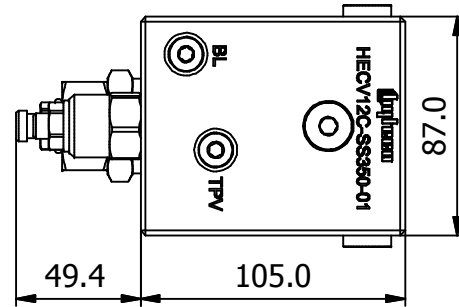
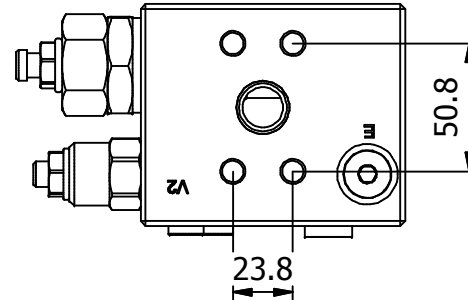
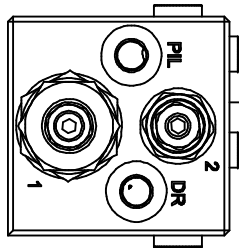
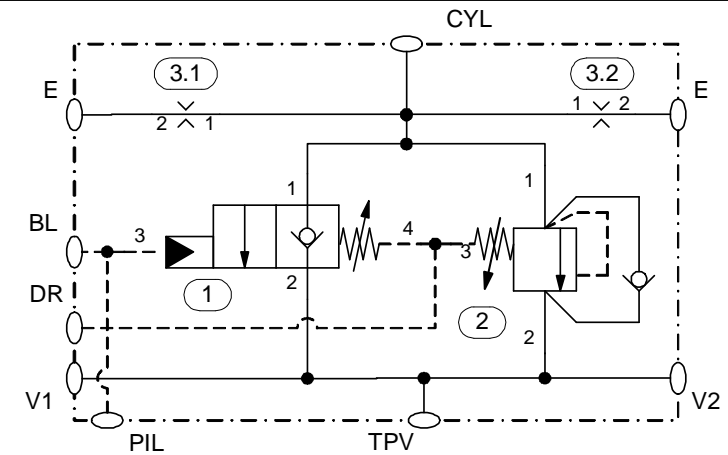
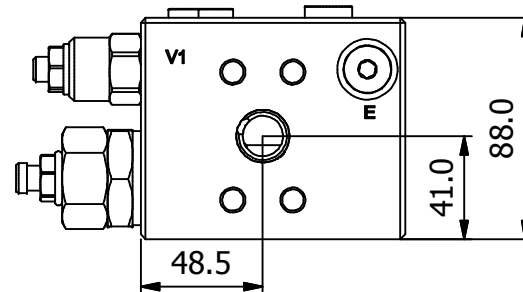


ITEM ID	PORT SIZE
E, PIL, DR	G 1/4"-19 (BSPP)
BL, TVP	G 1/8"-28 (BSPP)
V1, V2,	3/4" SAE Code 62 or G 1/2"-14 (BSPP)
CYL	3/4" SAE Code 62



HYTECO EARTHMOVING CRANE VALVE  
3/4 " SAE-62  
PART NUMBER: HECV12C-SS350-01



CYLINDER PORT: 3/4" SAE-62

RECOMMENDED WORKING PRESSURE 350 Bar  
RECOMMENDED BOLT TORQUE RATING FOR  
SHCS M10 IS 77 Nm

THIS DOCUMENT CONTAINS PROPRIETARY INFORMATION AND SUCH INFORMATION MAY NOT BE DISCLOSED TO OTHERS FOR ANY PURPOSE OR USED FOR MANUFACTURING PURPOSES WITHOUT THE WRITTEN PERMISSION OF HYTECO (AUST.) PTY LTD  
**IF IN DOUBT ASK**

COMPANY:  
HYTECO (AUST.) PTY LTD

No.	REVISION DETAILS	DATE	BY	CKD
1				
2				

Whilst every effort is made for the accuracy of the drawing Hyteco cannot be held responsible for any errors or omissions.

Hyteco reserves the right to change the specification without notice

DATE: 13/11/2009  
DRAWN: ML  
CHECKED: AB  
SCALE: NTS  
LAST REV.

DESCRIPTION:  
HYTECO EARTHMOVING CRANE VALVE 3/4" SAE-62



PAGE: 1 OF 1

PART No.  
HECV12C-SS350-01

DWG No. **A4**  
4116