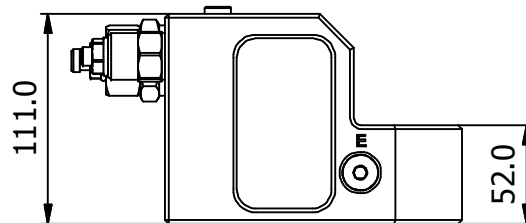
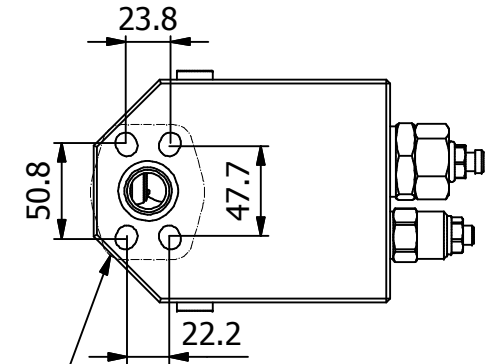
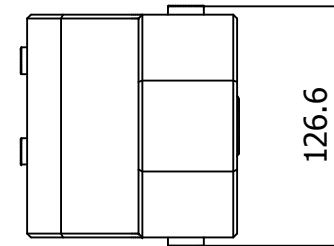
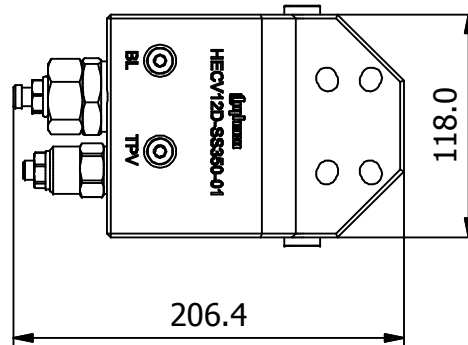
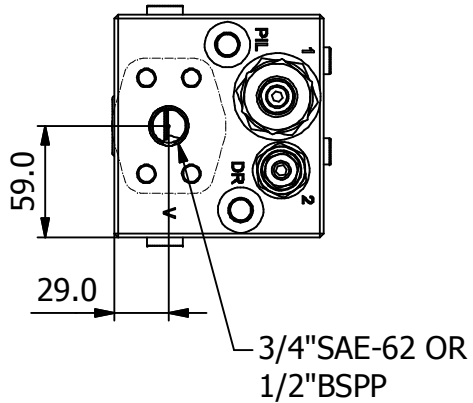
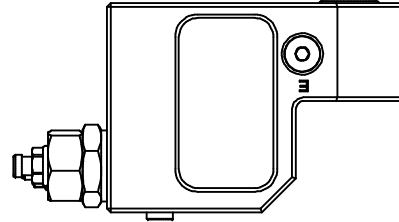
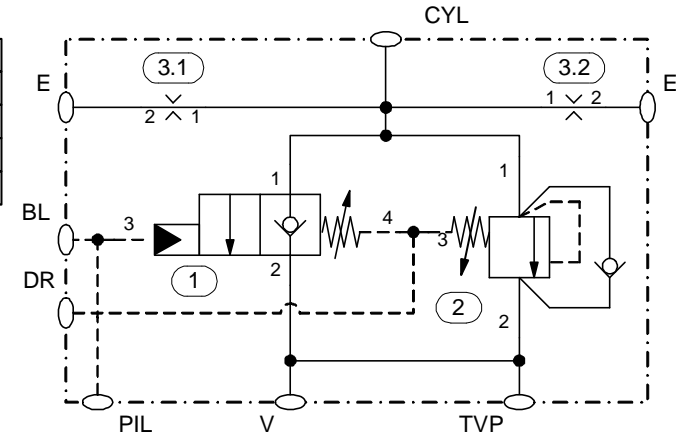


ITEM ID	PORT SIZE
E, PIL, DR	G 1/4"-19 (BSPP)
BL, TPV	G 1/8"-28 (BSPP)
V	3/4" SAE Code 62 or G 1/2"-14 (BSPP)
CYL	3/4" SAE Code 62 or 61



HYTECO EARTHMOVING CRANE
VALVE 3/4" SAE-62
PART NUMBER: HECV12D-SS350-01

CYLINDER PORT: 3/4" SAE-62
ALTERNATIVE: 3/4" SAE-61

RECOMMENDED WORKING PRESSURE 350 Bar
RECOMMENDED BOLT TORQUE RATING FOR
SHCS M10 IS 77Nm

THIS DOCUMENT CONTAINS PROPRIETARY INFORMATION AND SUCH INFORMATION MAY NOT BE DISCLOSED TO OTHERS FOR ANY PURPOSE OR USED FOR MANUFACTURING PURPOSES WITHOUT THE WRITTEN PERMISSION OF HYTECO (AUST.) PTY LTD
IF IN DOUBT ASK

COMPANY:
HYTECO (AUST.) PTY LTD

No.	REVISION DETAILS	DATE	BY	CKD
1				
2				

Whilst every effort is made for the accuracy of the drawing Hyteco cannot be held responsible for any errors or omissions.

Hyteco reserves the right to change the specifications without notice

DATE: 14/12/2009
DRAWN: ML
CHECKED: AB
SCALE: NTS
LAST REV.

DESCRIPTION:
HYTECO EARTHMOVING CRANE
VALVE 3/4"SAE-62



PAGE: 1 OF 1

PART No.
HECV12D-SS350-01

DWG No. 4095

A4