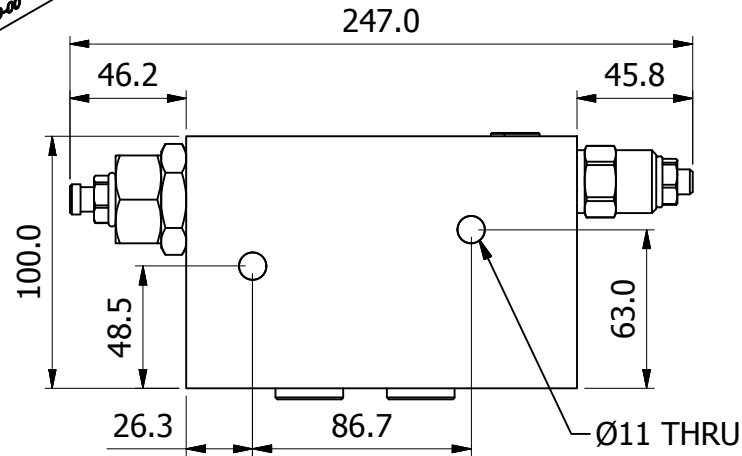
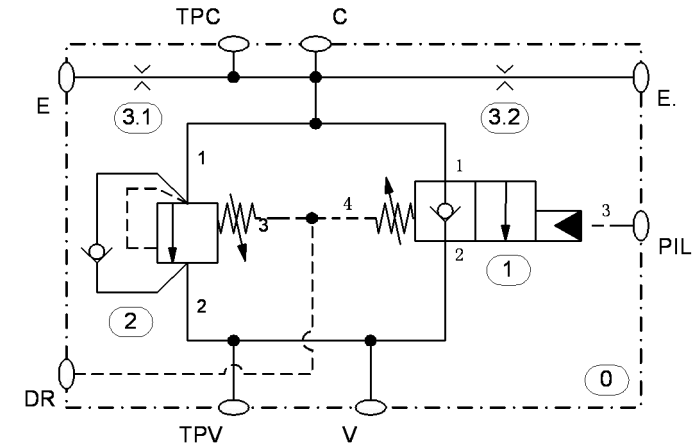
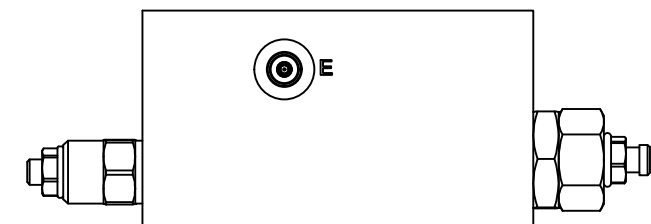
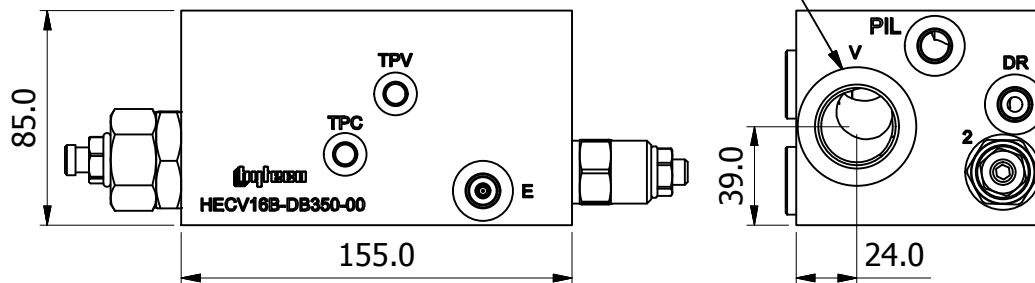
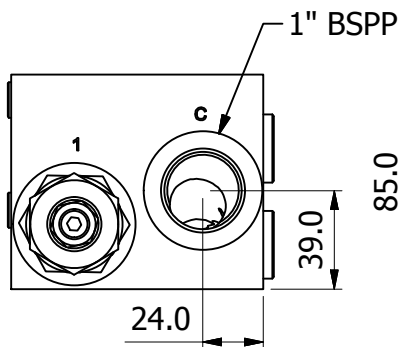


ITEM ID	PORT SIZE	DESCRIPTION
C, V	G 1"-11	1" BSPP
DR, E, E., PIL	G 1/4"-19	1/4" BSPP
TPC, TPV	G 1/8"-28	1/8" BSPP



HYTECO EARTH MOVING CRANE VALVE 1" BSPP  
PART NUMBER: HECV16B-DB350-00

RECOMMENDED WORKING PRESSURE: 350 Bar



THIS DOCUMENT CONTAINS PROPRIETARY INFORMATION AND SUCH INFORMATION MAY NOT BE DISCLOSED TO OTHERS FOR ANY PURPOSE OR USED FOR MANUFACTURING PURPOSES WITHOUT THE WRITTEN PERMISSION OF HYTECO (AUST.) PTY LTD  
**IF IN DOUBT ASK**

COMPANY:  
HYTECO (AUST.) PTY LTD

No.	REVISION DETAILS	DATE	BY	CKD
1				
2				

Whilst every effort is made for the accuracy of the drawing Hyteco cannot be held responsible for any errors or omissions.

Hyteco reserves the right to change the specifications without notice



DATE: 5/06/2013  
DRAWN: ML  
CHECKED: ML  
SCALE: NTS  
REVISION: AA

DESCRIPTION:  
HYTECO EARTH MOVING CRANE  
MANIFOLD, 1" BSPP



PAGE: 1 OF 1

PART No.  
HECV16B-DB350-00

DWG No.  
5640

A4