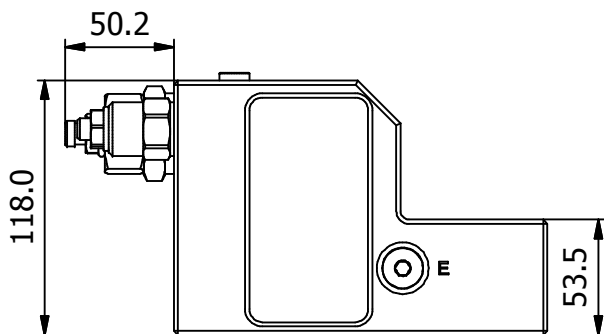
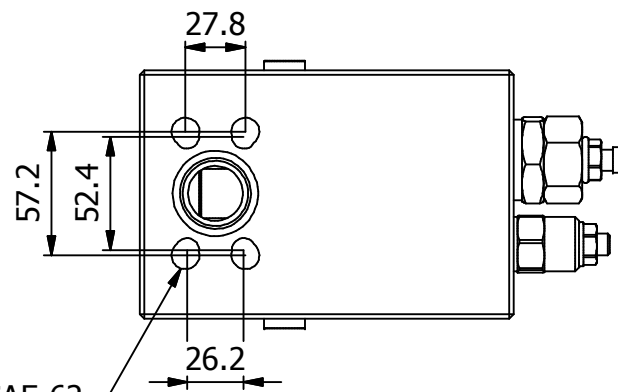
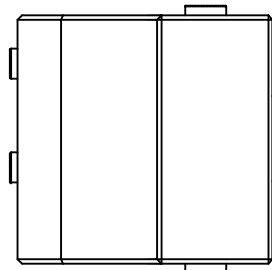
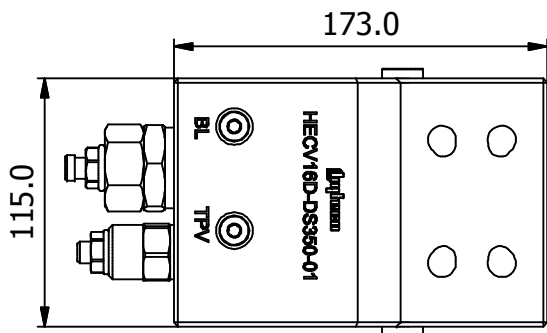
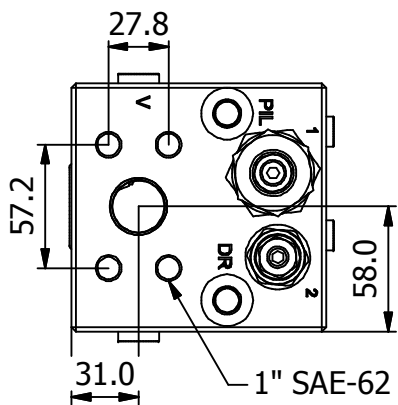
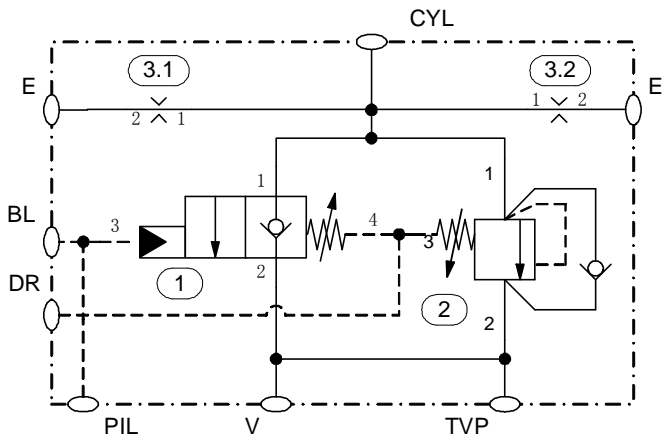
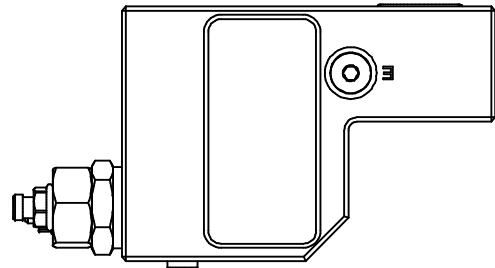
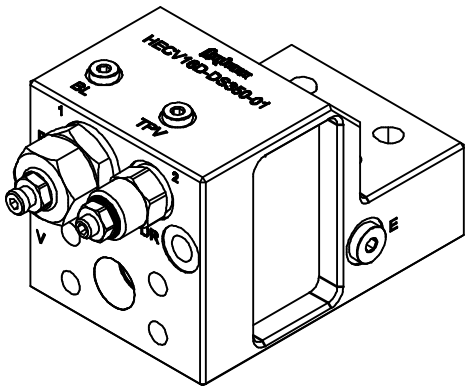


ITEM ID	PORT SIZE
E, PIL, DR	G 1/4"-19 (BSPP)
BL, TPV	G 1/8"-28 (BSPP)
V	1" SAE Code 62 or G 3/4"-14 (BSPP)
CYL	1" SAE Code 61 or Code 62



CYLINDER PORT: 1" SAE-62  
ALTERNATIVE: 1" SAE-61

RECOMMENDED WORKING PRESSURE 350 BAR  
RECOMMENDED BOLT TORQUE RATING FOR  
SHCS M10 IS 77 Nm  
SHCS M12 IS 135 Nm

HYTECO EARTHMOVING CRANE  
VALVE, 1" SAE-62  
PART NUMBER: HECV16D-SS350-01

THIS DOCUMENT CONTAINS PROPRIETARY INFORMATION AND SUCH INFORMATION MAY NOT BE DISCLOSED TO OTHERS FOR ANY PURPOSE OR USED FOR MANUFACTURING PURPOSES WITHOUT THE WRITTEN PERMISSION OF HYTECO (AUST.) PTY LTD  
**IF IN DOUBT ASK**

COMPANY:  
HYTECO (AUST.) PTY LTD

No.	REVISION DETAILS	DATE	BY	CKD
1				
2				

Whilst every effort is made for the accuracy of the drawing Hyteco cannot be held responsible for any errors or omissions.

Hyteco reserves the right to change the specifications without notice



DATE: 4/03/2010  
DRAWN: ML  
CHECKED: AB  
SCALE: NTS  
LAST REV.

DESCRIPTION:  
EARTHMOVING CRANE VALVE 1"  
SAE-62



PAGE: 1 OF 1

PART No.  
HECV16D-SS350-01  
DWG No.  
4102

A4