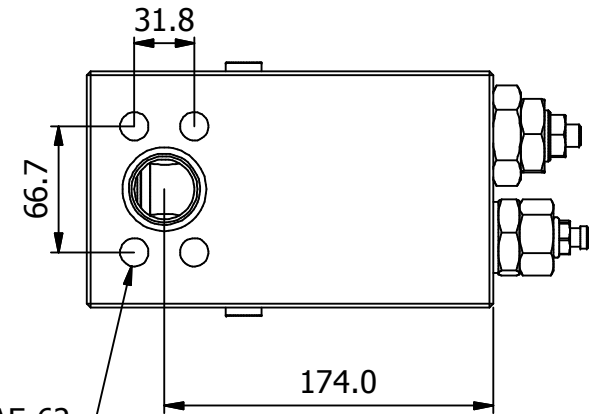
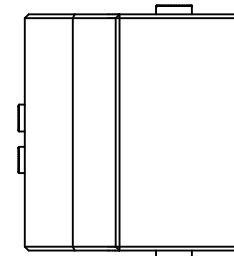
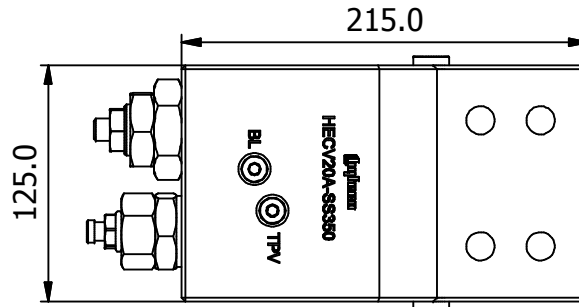
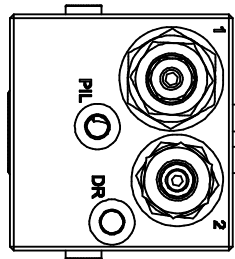
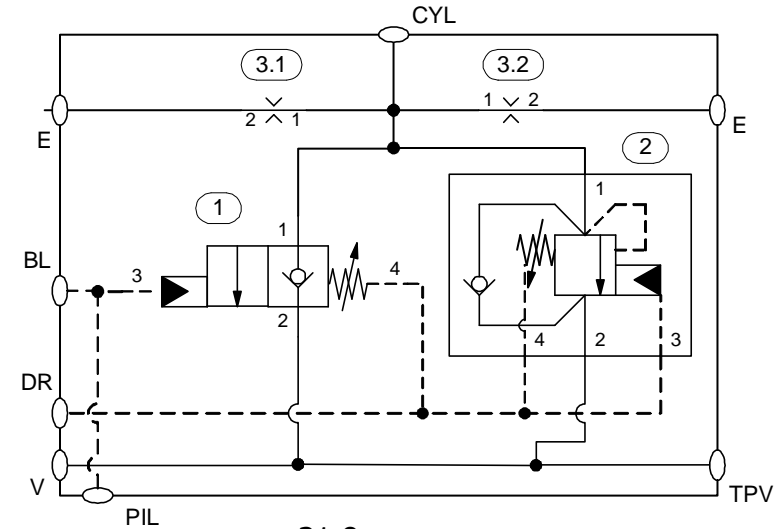
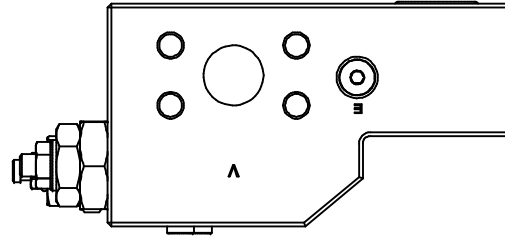
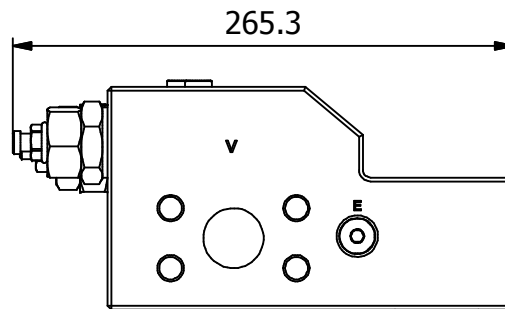


ITEM ID	PORT SIZE
E	G 1/4"-19 (BSPP)
BL, TPV	G 1/8"-28 (BSPP)
V, CYL	1 1/4" SAE Code 62
PIL, DR	G 1/4"-19 (BSPP)



CYLINDER PORT: 1 1/4" SAE-62

HYTECO EARTHMOVING CRANE  
VALVE 1 1/4" SAE-62  
PART NUMBER HECV20A-SS350



RECOMMENDED WORKING PRESSURE 350 Bar  
RECOMMENDED BOLT TORQUE RATING FOR  
SHCS M14 IS 215 Nm

THIS DOCUMENT CONTAINS PROPRIETARY INFORMATION AND SUCH INFORMATION MAY NOT BE DISCLOSED TO OTHERS FOR ANY PURPOSE OR USED FOR MANUFACTURING PURPOSES WITHOUT THE WRITTEN PERMISSION OF HYTECO (AUST.) PTY LTD  
**IF IN DOUBT ASK**

<b>COMPANY:</b> HYTECO (AUST.) PTY LTD				
No.	REVISION DETAILS	DATE	BY	CKD
1				
2				

Whilst every effort is made for the accuracy of the drawing Hyteco cannot be held responsible for any errors or omissions.  
Hyteco reserves the right to change the specifications without notice

DATE: 2/02/2010
DRAWN: ML
CHECKED: AB
SCALE: NTS
LAST REV.

DESCRIPTION:  
HYTECO EARTHMOVING CRANE  
VALVE 1 1/4" SAE-62

(AUST.) PTY LTD  
...EXCELLENCE IN FLUID POWER AND CONTROL A.C.N.010-747-421

PAGE: 1 OF 1
PART No. HECV20A-SS350
DWG No. 3948

A4