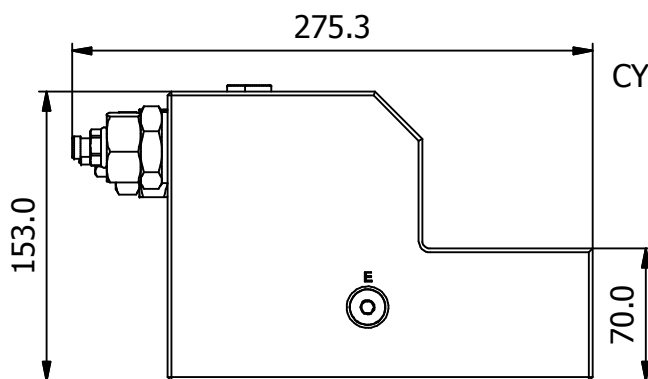
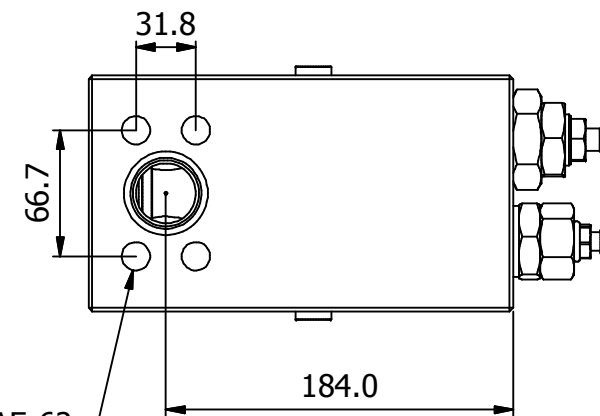
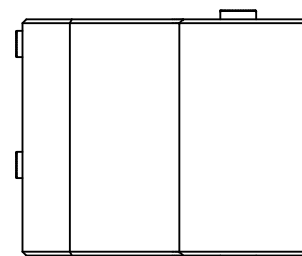
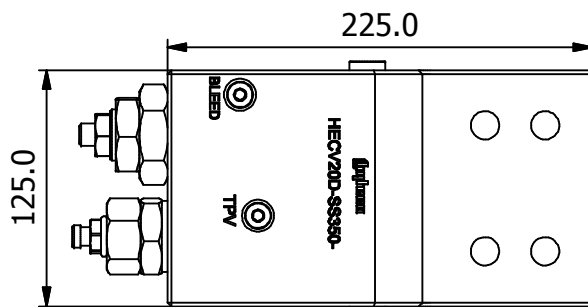
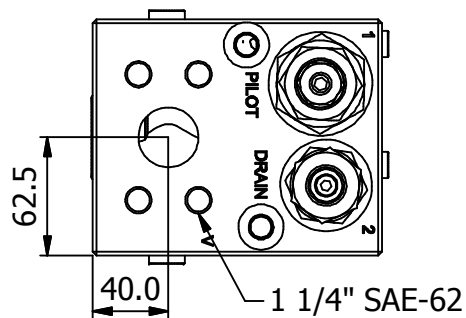
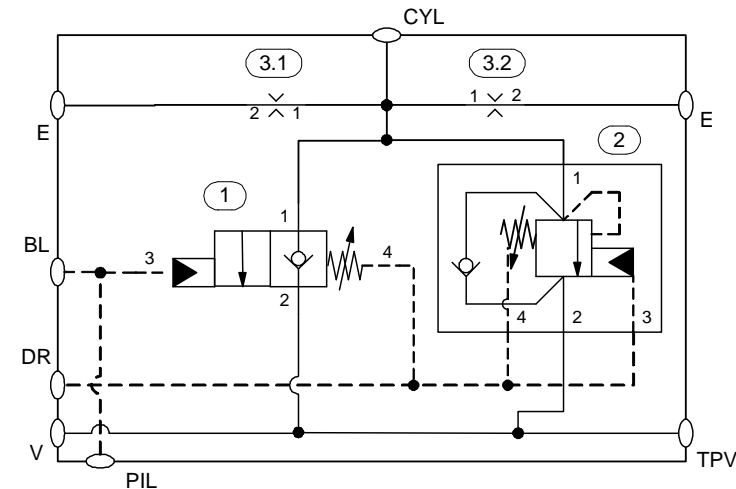
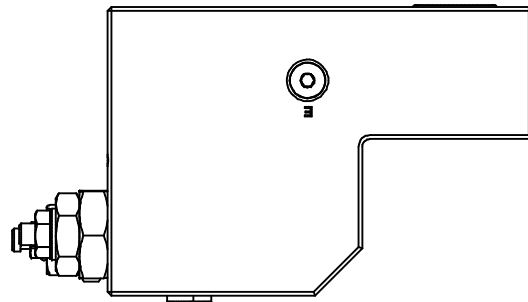


ITEM ID	PORT SIZE
E	G 1/4"-19 (BSPP)
BL, TPV	G 1/8"-28 (BSPP)
V, CYL	1 1/4" SAE Code 62
PIL, DR	G 1/4"-19 (BSPP)



CYLINDER PORT: 1 1/4" SAE-62

RECOMMENDED WORKING PRESSURE 350 Bar
RECOMMENDED BOLT TORQUE RATING FOR SHCS M14 IS 215 Nm

HYTECO EARTHMOVING CRANE VALVE 1 1/4" SAE-62
PART NUMBER HECV20D-SS350

THIS DOCUMENT CONTAINS PROPRIETARY INFORMATION AND SUCH INFORMATION MAY NOT BE DISCLOSED TO OTHERS FOR ANY PURPOSE OR USED FOR MANUFACTURING PURPOSES WITHOUT THE WRITTEN PERMISSION OF HYTECO (AUST.) PTY LTD
IF IN DOUBT ASK

COMPANY:
HYTECO (AUST.) PTY LTD

No.	REVISION DETAILS	DATE	BY	CKD
1				
2				

Whilst every effort is made for the accuracy of the drawing Hyteco cannot be held responsible for any errors or omissions.

Hyteco reserves the right to change the specifications without notice



DATE: 2/02/2010

DRAWN: ML

CHECKED: AB

SCALE: NTS

LAST REV.

DESCRIPTION:
HYTECO EARTHMOVING CRANE VALVE 1 1/4" SAE-62



...EXCELLENCE IN FLUID POWER AND CONTROL A.C.N.010-747-421

PAGE: 1 OF 1

PART No.
HECV20D-SS350

DWG No.
4053

A4