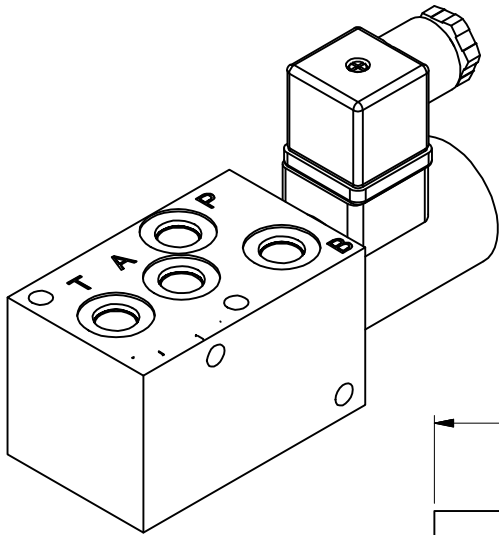
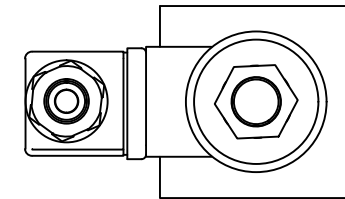
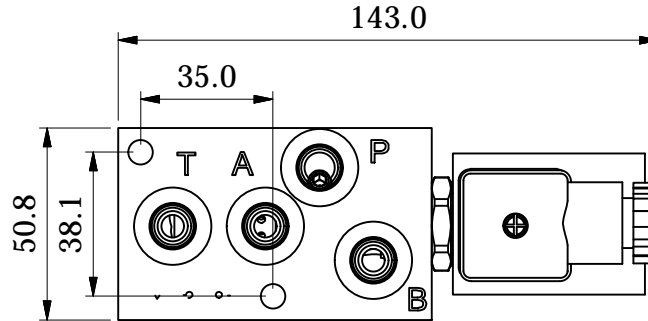
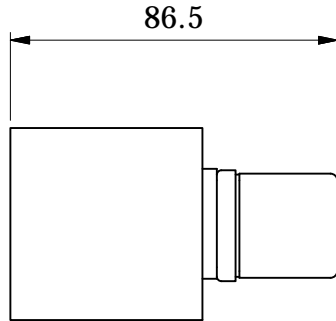
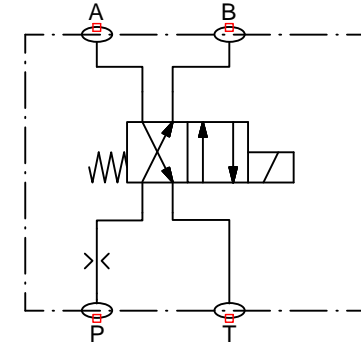


QUICK HITCH VALVE



Recommended max pressure: 350 bar
 Recommended max flow: 30 l/min
 Ports: ALL #4 SAE (7/16" UNO)
 Mounting: 2x 6.5 dia Through



Ordering Code	Approx. Weight (kg)
HYT1513-D-10x	2.316 kg

↑ Voltage
 ↑ Series
 ↑ Material

Material: D: DUCT. IRON
 S: STEEL
 Voltage: A: 12 VDC
 B: 24 VDC

