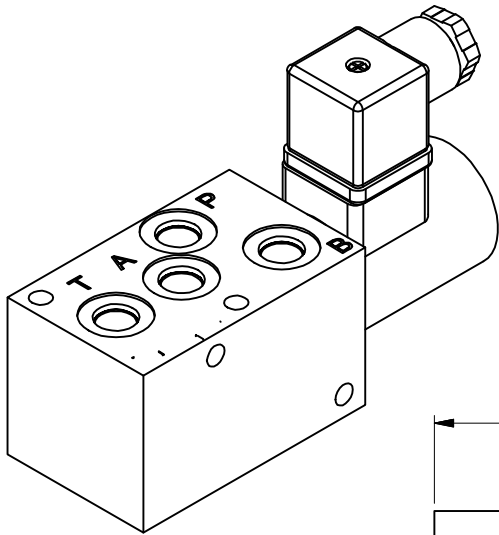
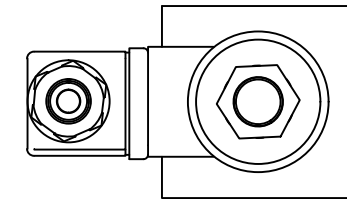
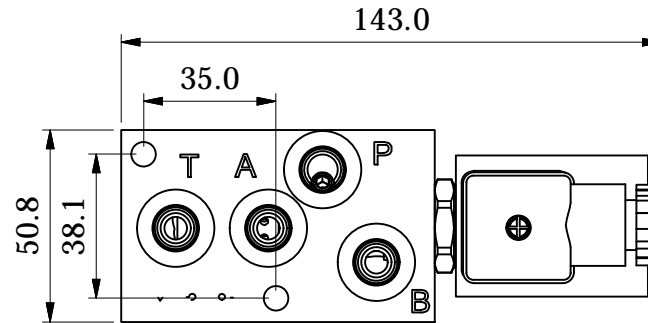
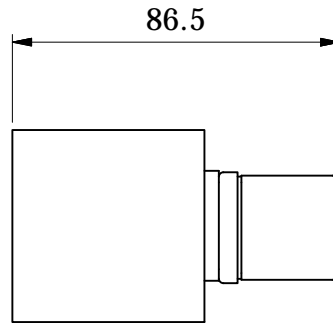
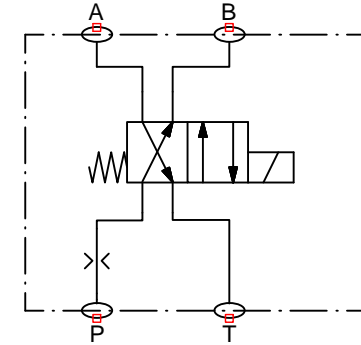


QUICK HITCH VALVE

59 Kremzow Rd, Brendale, QLD, Australia 4500
 Tel: +61 (0)7 3881 3312, Fax: +61 (0) 7 3881 3314
 Email: sales@hyteco.com.au
 Web: www.hyteco.com.au



Recommended max pressure: 350 bar
 Recommended max flow: 30 l/min
 Ports: ALL #4 SAE (7/16" UNO)
 Mounting: 2x 6.5 dia Through



Ordering Code	Approx. Weight (kg)
HYT1513-D-10x	2.316 kg

Material: D: DUCT. IRON
 S: STEEL
 Voltage: A: 12 VDC
 B: 24 VDC

