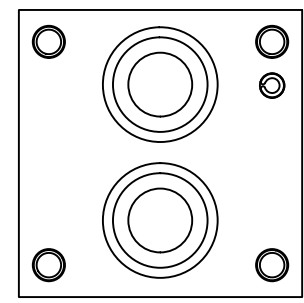


Galleries: Ø17mm THROUGH
Mounting: 8 x SHCS M8x1.25x25mm
ORings: 4 x BS120
Spring Pins: 2 x 1/4" X 1/2" SPRING PIN
(TO SUIT MULTI-STATION SUBPLATES)

Recommended Pressure: Aluminium 210 Bar
Steel / DI 350 Bar



Ordering Code	Approx. Weight (kg)
M3J3A	0.855 kg

Material: A: ALUMINIUM
D: DUCT. IRON
S: STEEL

