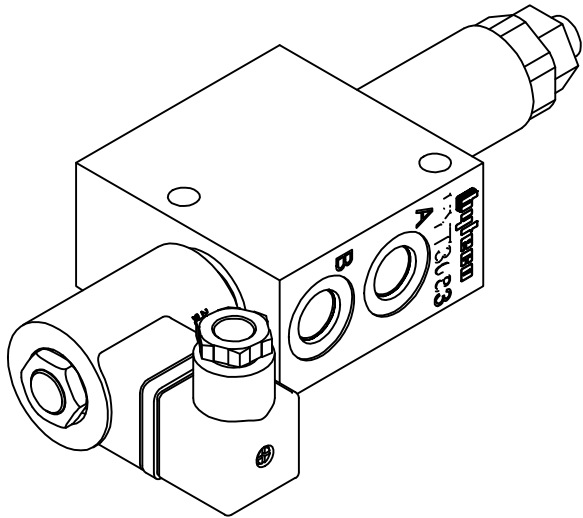
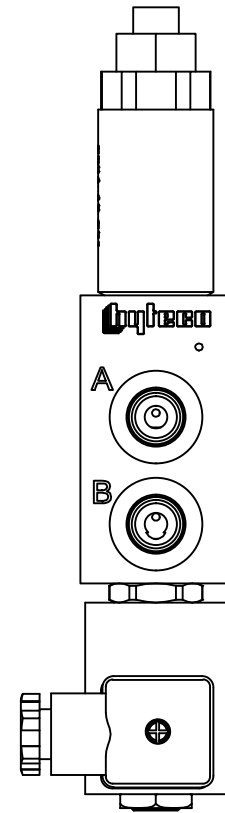
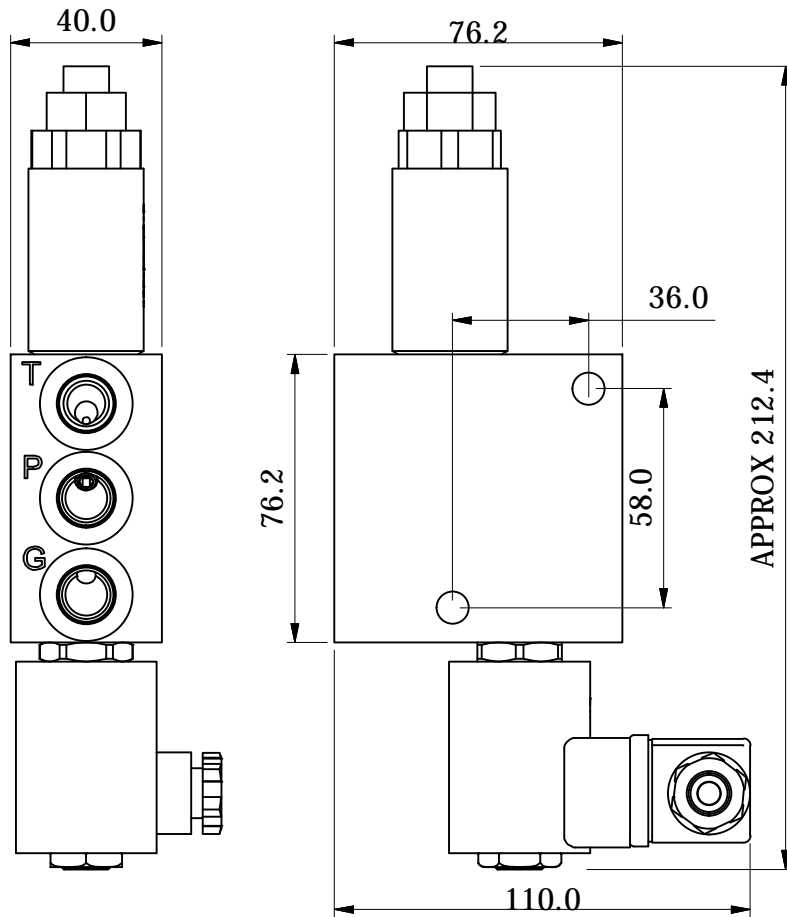
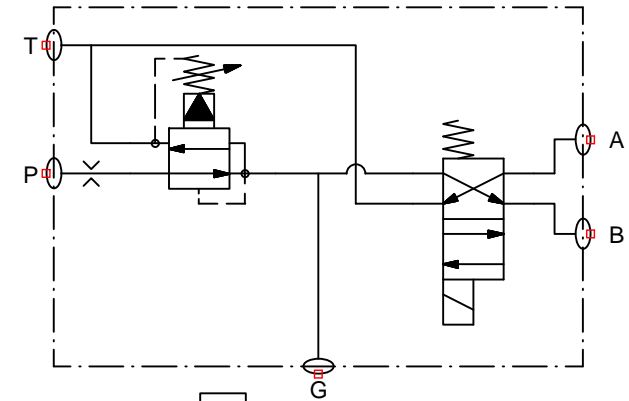


QUICK HITCH VALVE



Max pressure: 350 bar, Red/Relieving 10-210 bar
 Capacity: 20 L/min.
 Ports: ALL #6 SAE (9/16" UNO)
 Mounting: 8.5mm THROUGH



Ordering Code	Approx. Weight (kg)
LQHOS-E68A	2.751 kg

Material: D: DUCT. IRON
 S: STEEL
 Voltage: A: 12 VDC
 B: 24 VDC