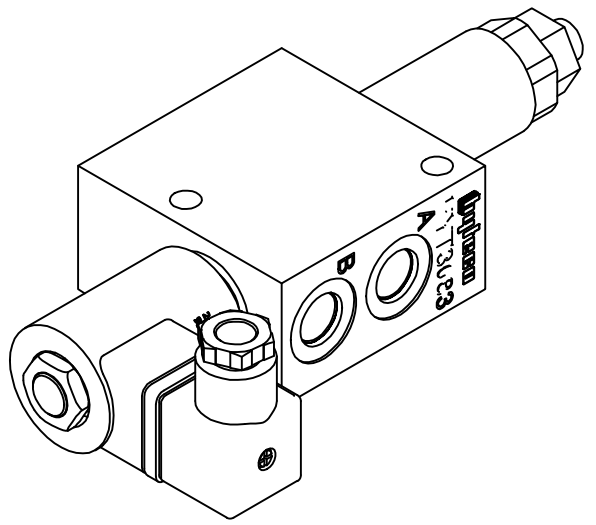
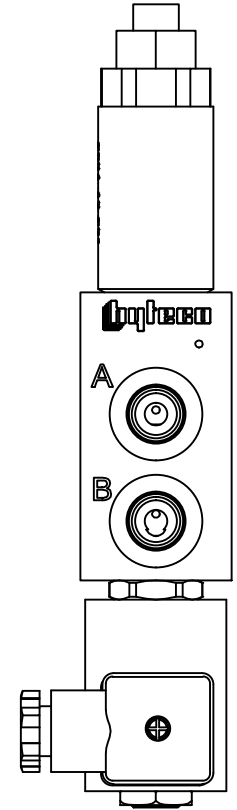
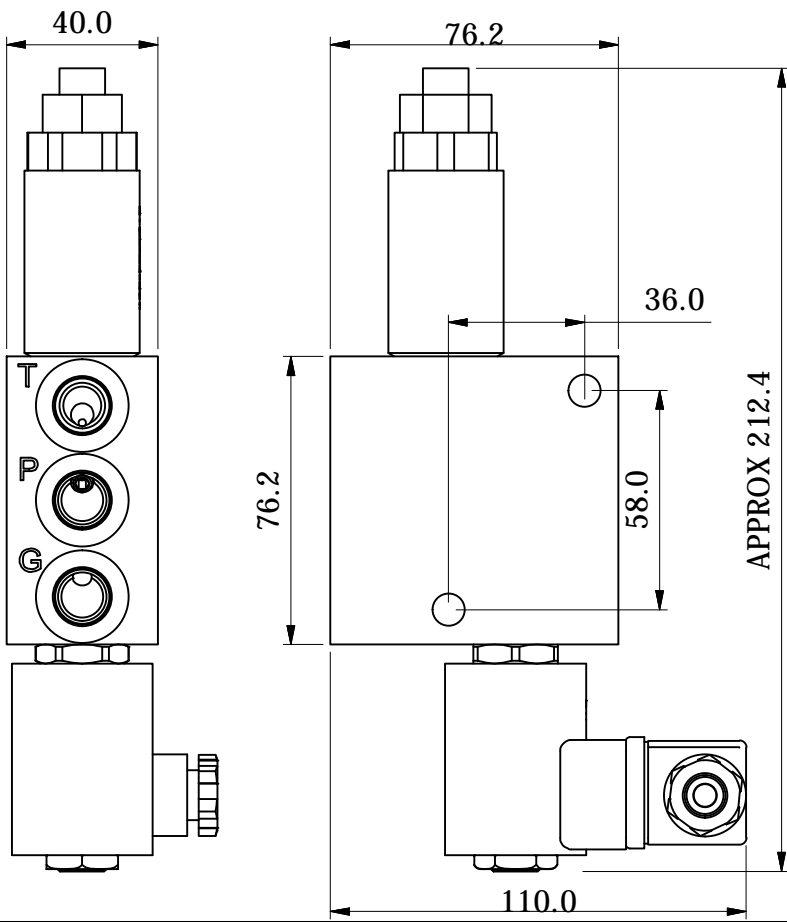
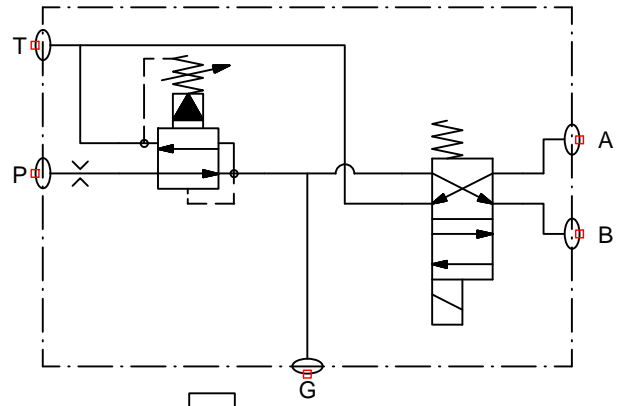


QUICK HITCH VALVE

59 Kremzow Rd, Brendale, QLD, Australia 4500
 Tel: +61 7 3881 3312, Fax: +61 7 3881 3314
 Email: sales@hyteco.com.au
 Web: www.hyteco.com.au

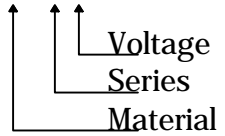


Max pressure: 350 bar, Red/Relieving 10-210 bar
 Capacity: 20 L/min.
 Ports: ALL #6 SAE (9/16" UNO)
 Mounting: 8.5mm THROUGH



Ordering Code	Approx. Weight (kg)
LQHOS-E68A	2.751 kg

Material: D: DUCT. IRON
 S: STEEL
 Voltage: A: 12 VDC
 B: 24 VDC
 C: 120 VAC
 D: 240 VAC



Other styles made to order, prices available upon application.
 Details above are subject to change without notification.