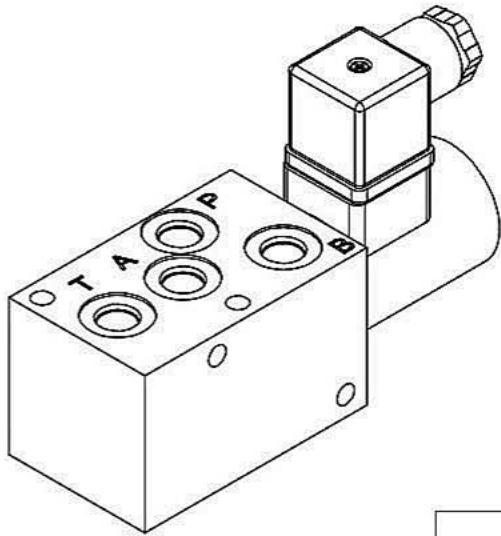
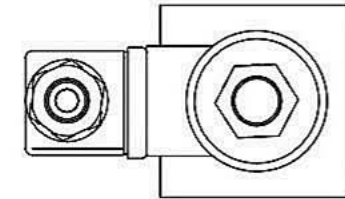
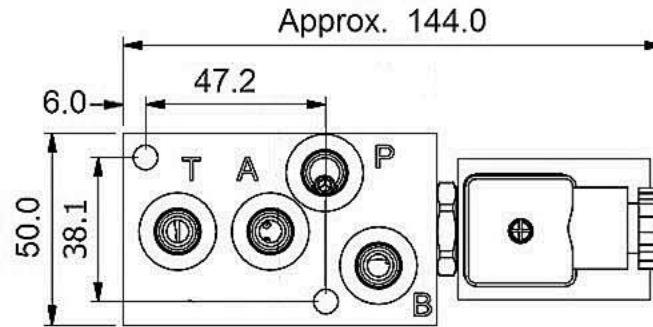
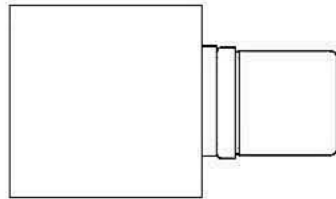
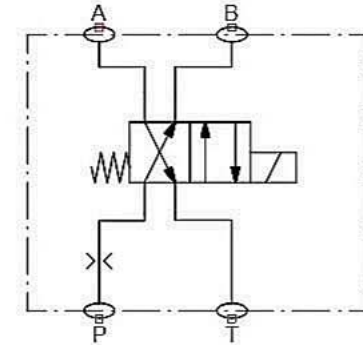


LQHPS QUICK HITCH VALVE



Max pressure: 350 bar
 Capacity: 15 L/min
 Ports: All G1/4 (1/4" BSPP)
 Mounting: 4x 6.8mm Through
 Material: Steel/Ductile Iron plated



Ordering Code	Approx. Weight (kg)
LQHPS - xx	1.96 kg

xx = Voltage: 12 = 12 Vdc
 24 = 24 Vdc

