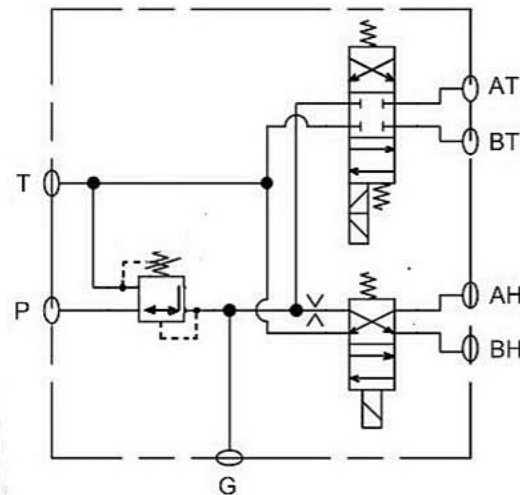
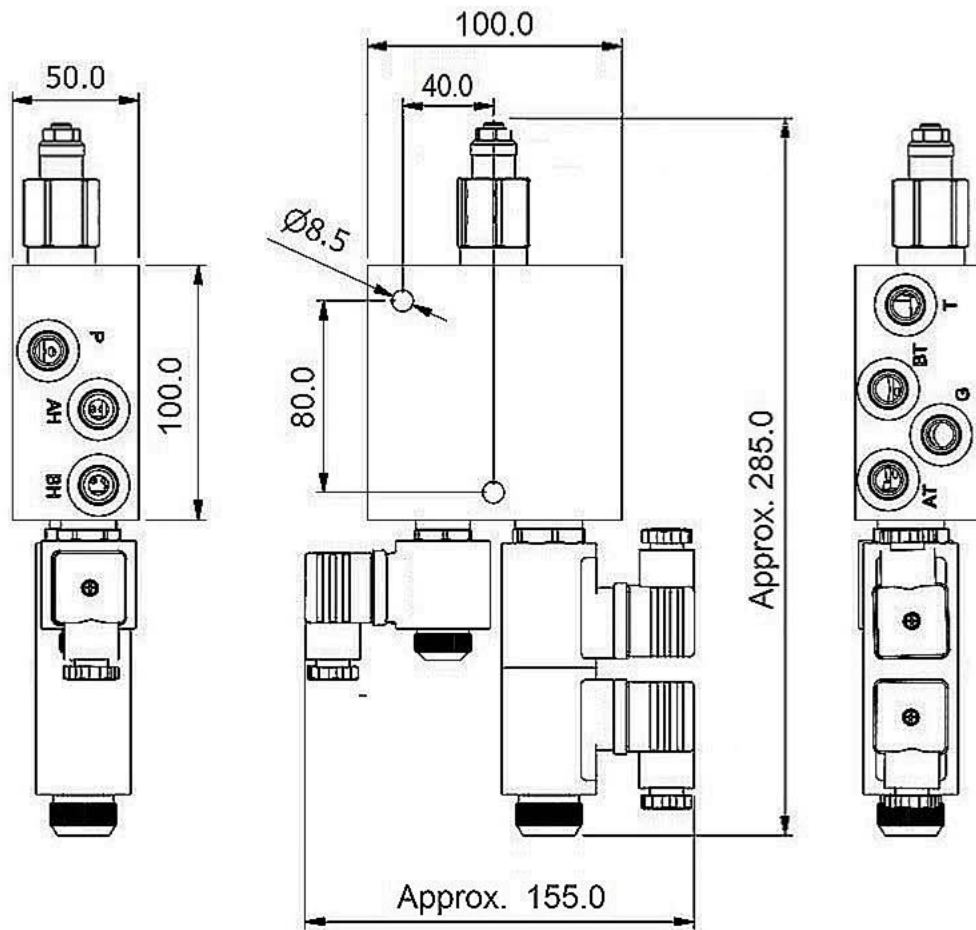
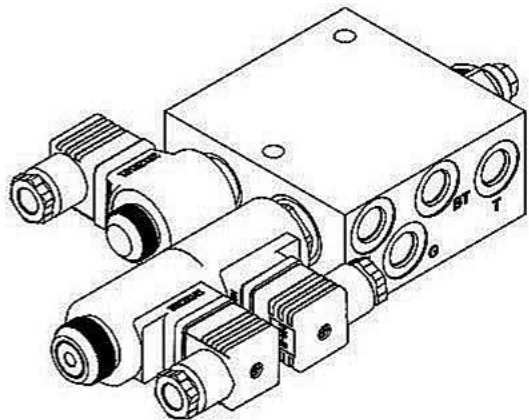


LQTPS QUICK HITCH & TILT VALVE

59 Kremzow Rd, Brendale, QLD, Australia 4500
 Tel: +61 7 3881 3312, Fax: +61 7 3881 3314
 Email: sales@hyteco.com.au
 Web: www.hyteco.com.au

Max pressure: 350 bar, Red/Relieving 50-315 bar
 Capacity: 20 L/min
 Ports: All G1/4 (1/4" BSPP)
 Mounting: 8.5mm Through
 Material: Steel / Ductile Iron plated



Ordering Code	Approx. Weight (kg)
LQTPS - xx	4.1 kg

xx = Voltage: 12 = 12 Vdc
 24 = 24 Vdc

