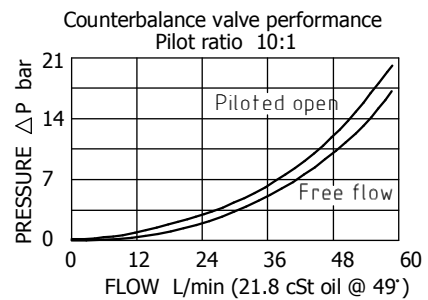
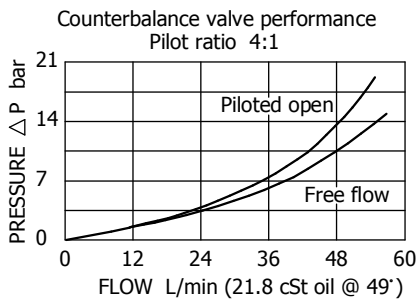
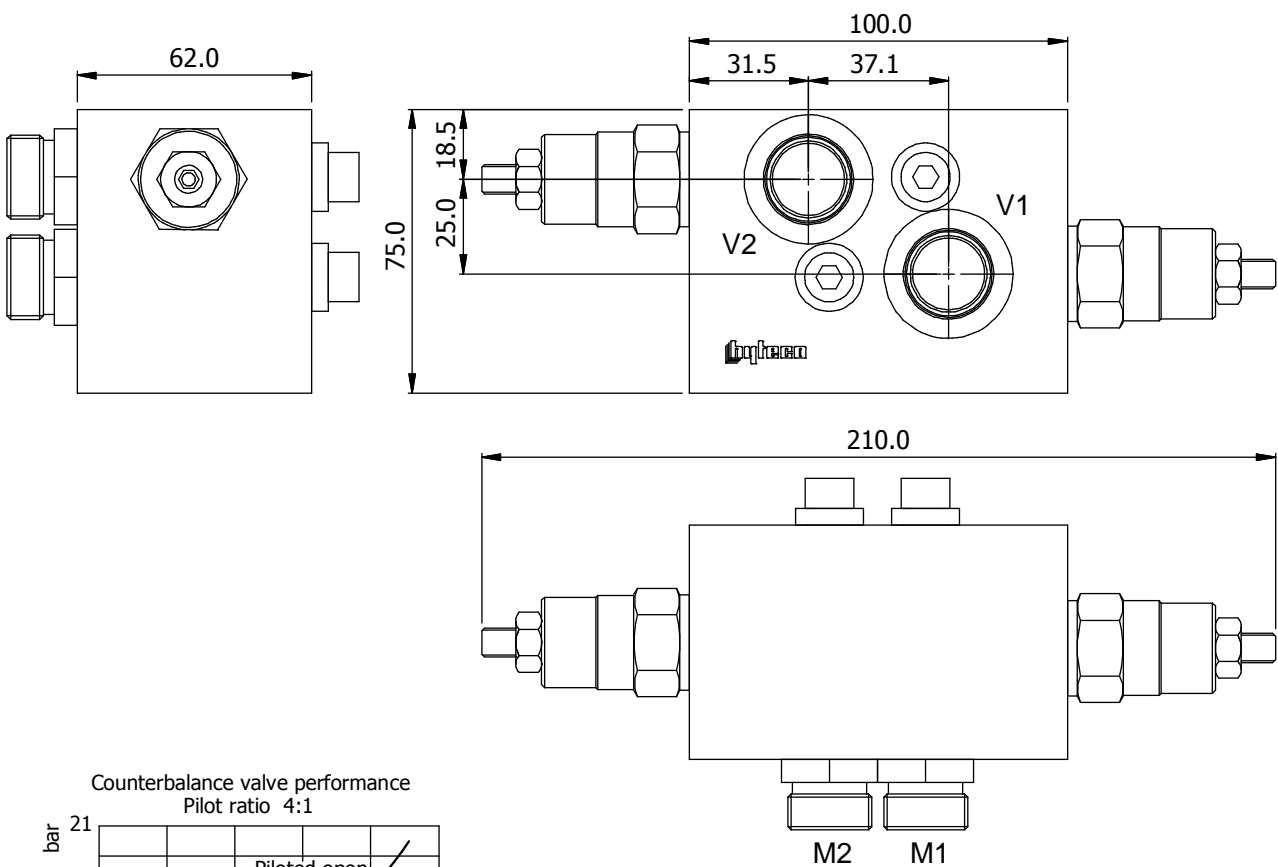
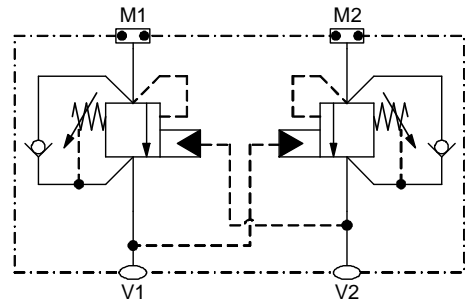


CHAR-LYNN 2000 DIRECT MOUNT DUAL C'BALANCE, 7/8" UNO PORTS

Recommended pressure: 210 Bar Aluminium
350 Bar Ductile Iron/Steel
Counter balance valve: Rated flow 60 L/min.
Pilot ratio: 4:1 / 10:1
Ports: 7/8" UNO
Mounting: Direct to motor
Kit includes: Banjo bolts + seals



Ordering Code With Valve B1	Ordering Code With Valve B2	Approx. Weight (kg)
G2LQ*-B1	G2LQ*-B3	A~2.1 - D/S~4.5

DEFAULT SUPPLY: ALUMINIUM 210 BAR VALVES, DUCTILE IRON 350 BAR VALVES

NOTE: * A= Aluminium, D= Ductile Iron, On request: S= Steel, SS= Stainless Steel

