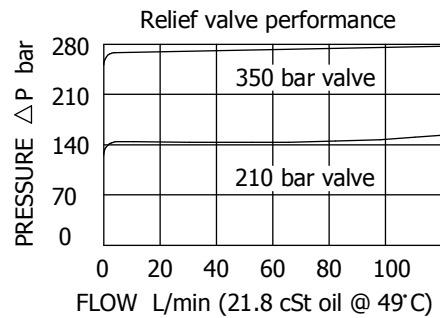
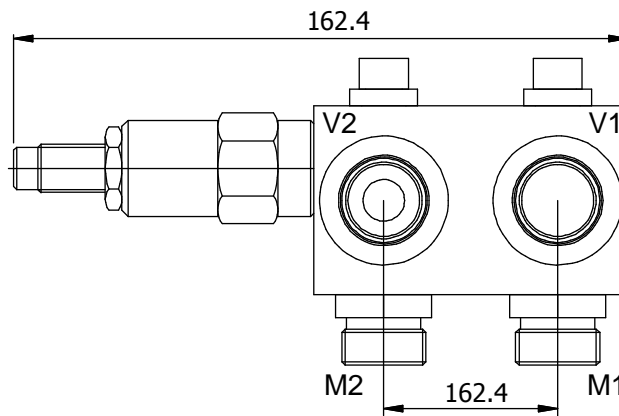
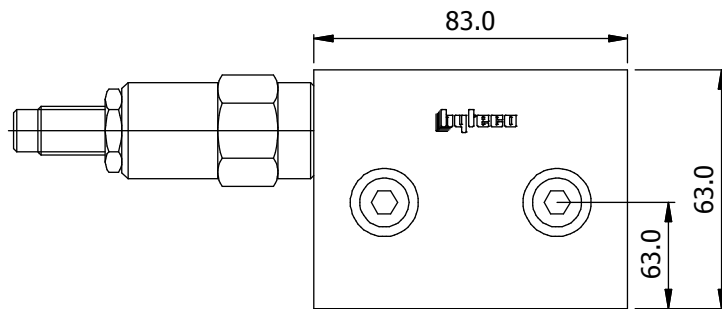
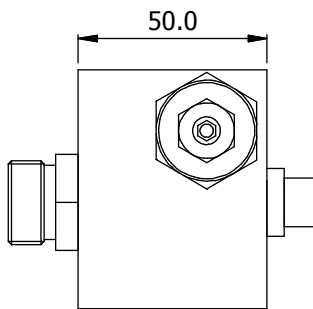
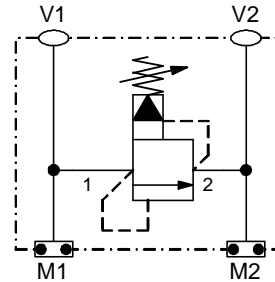


## CHAR-LYNN H/S DIRECT MOUNT WITH RELIEF, 7/8" UNO PORTS

Recommended pressure: 210 Bar Aluminium  
 350 Bar Ductile Iron/Steel  
 Relief valve: Rated flow: 114 L/min.  
 Ports: 7/8" UNO  
 Mounting: Direct to motor  
 Kit includes: Banjo bolts + seals



Ordering Code With Relief	Approx. Weight (kg)
GSGQ*-R1	A~1.1 - D/S~1.8

DEFAULT SUPPLY: ALUMINIUM 210 BAR VALVES, DUCTILE IRON 350 BAR VALVES

NOTE: \* A= Aluminium, D= Ductile Iron, On request: S= Steel, SS= Stainless Steel

