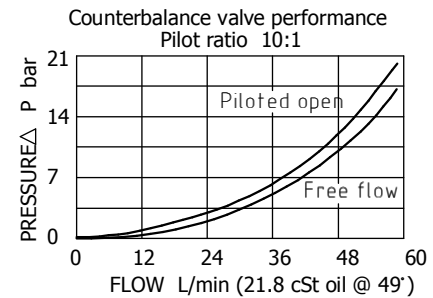
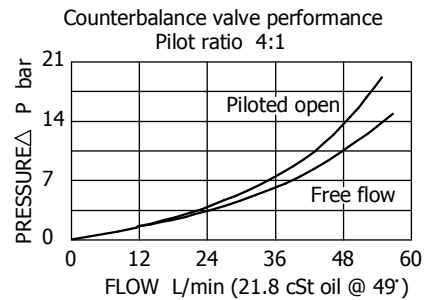
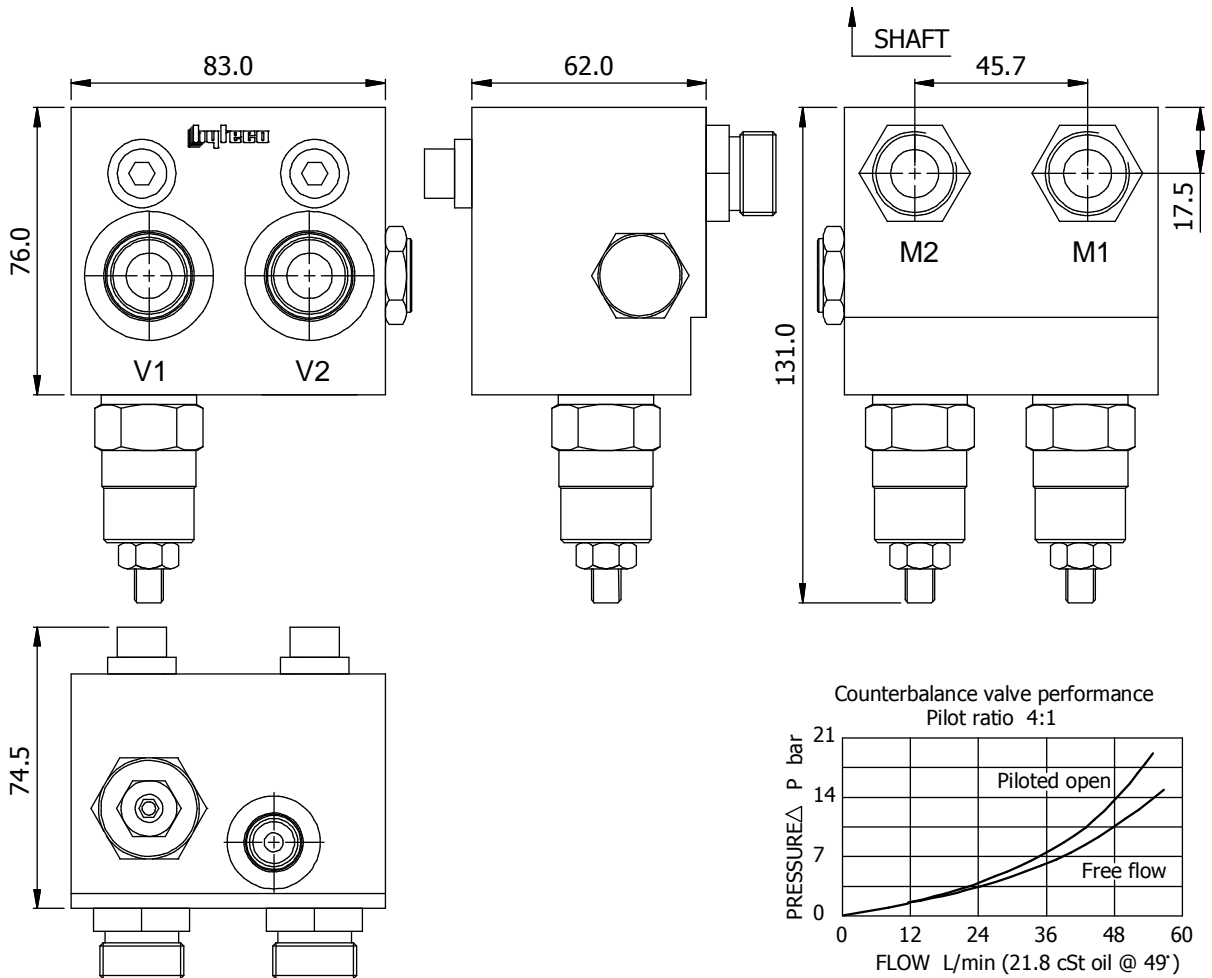
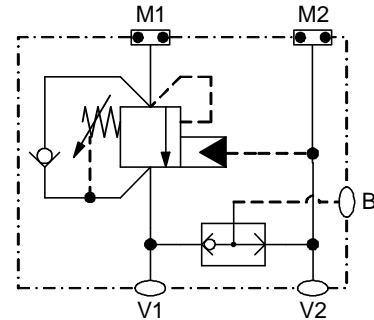


CHAR-LYNN H/S DIRECT MOUNT C'BAL & BRAKE SHUTTLE, 7/8" UNO PORTS

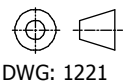
Recommended pressure: 210 Bar Aluminium
350 Bar Ductile Iron/Steel
Counter balance valve: Pilot ratio: 4:1 / 10:1
Rated flow: 60 L/min.
Ports: V, M: 7/8" UNO
B: 9/16" UNO
Mounting: Direct to motor
Kit includes: Banjo bolts + seals



Ordering Code With Valve B1	Ordering Code With Valve B2	Approx. Weight (kg)
GSNQ*-B1	GSNQ*-B3	A~1.8 - D/S~4.1

DEFAULT SUPPLY: ALUMINIUM 210 BAR VALVES, DUCTILE IRON 350 BAR VALVES

NOTE: * A= Aluminium, D= Ductile Iron, On request: S= Steel, SS= Stainless Steel



DWG: 1221