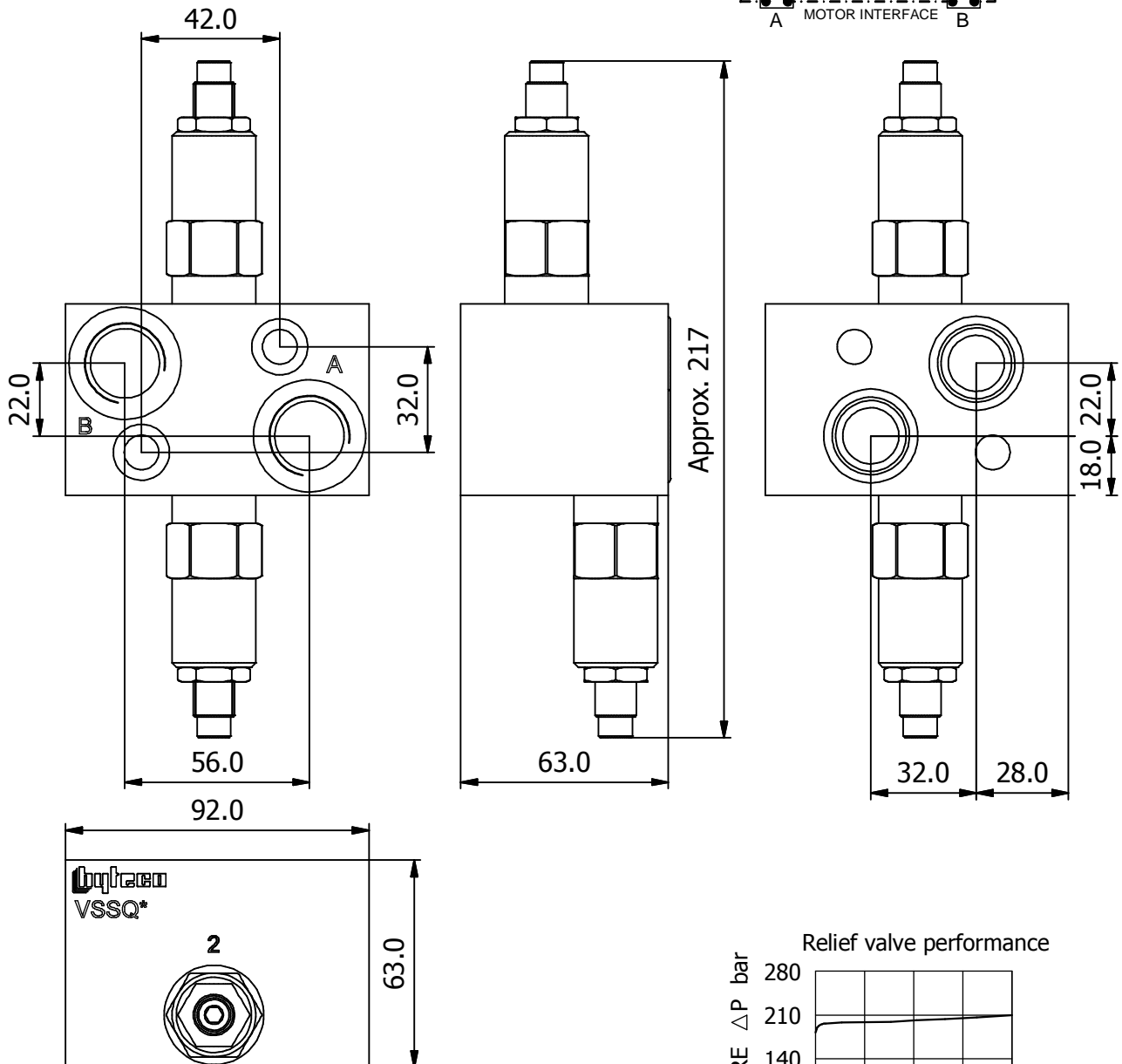
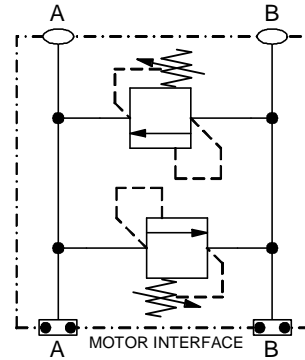


## OMS DIRECT MOUNT CROSS LINE RELIEF VALVE

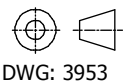
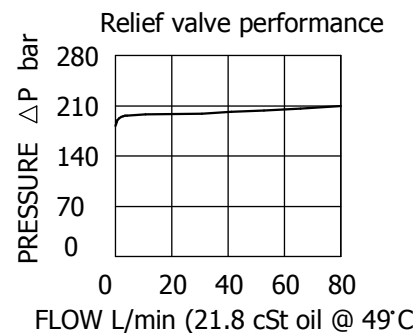
Recommended pressure: 210 Bar Aluminium  
350 Bar Ductile Iron/Steel  
Relief valve:  
Ports: A, B: 1/2"BSPP  
Mounting: SHCS M10x65  
O Ring: BS-119



| Ordering Code<br>With Relief | Approx.<br>Weight (kg) |
|------------------------------|------------------------|
| VSSQ*-R2                     | A~1.2 - D/S~2.5        |

DEFAULT SUPPLY: 210 BAR VALVES

NOTE: \* A= Aluminium, D= Ductile Iron, On request: S= Steel, SS= Stainless Steel



DWG: 3953