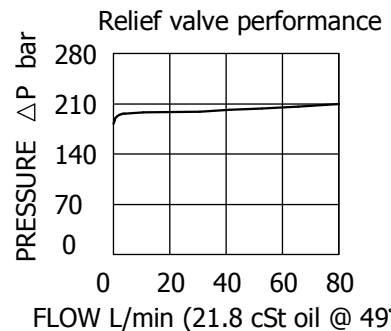
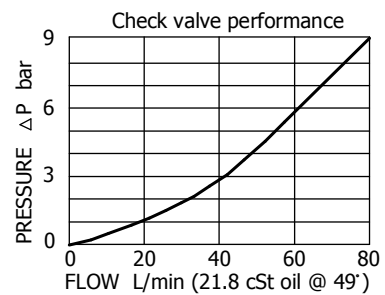
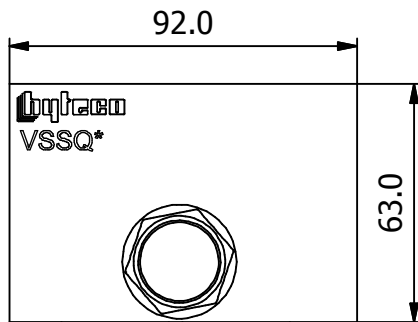
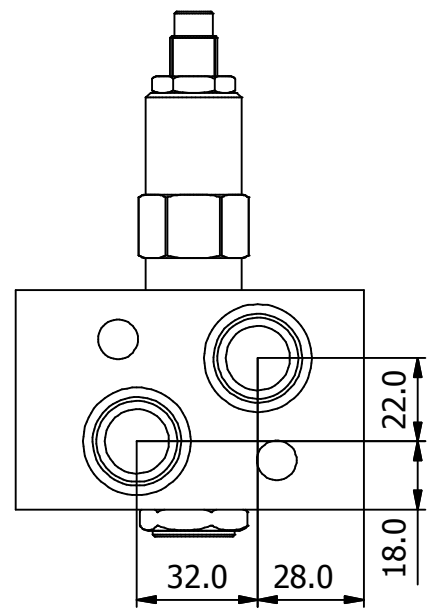
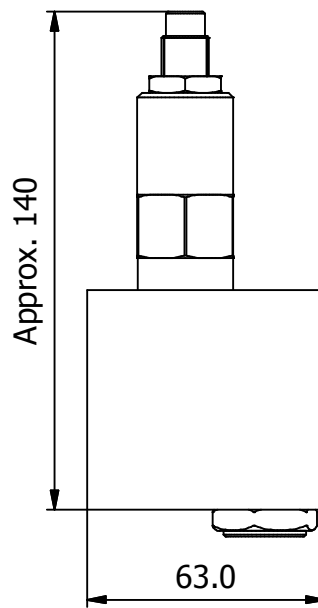
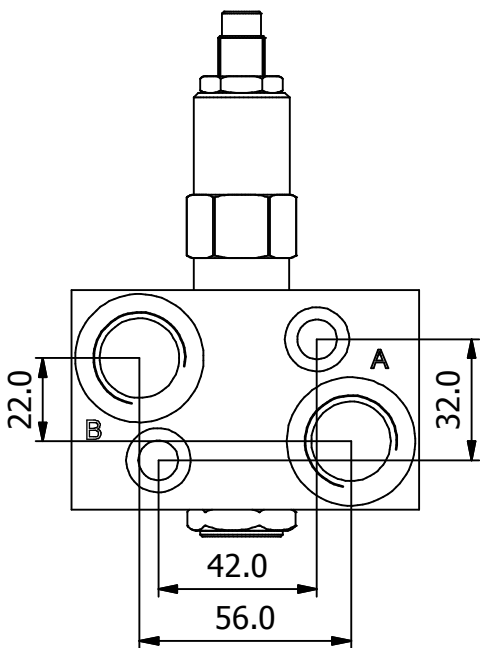
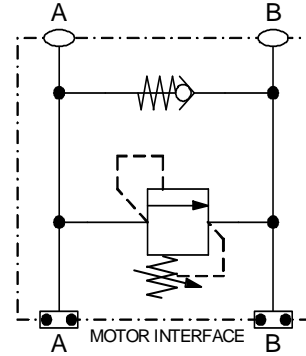


## OMS DIRECT MOUNT PORT RELIEF WITH CHECK VALVE

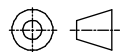
Recommended pressure: 210 Bar Aluminium  
350 Bar Ductile Iron/Steel  
Relief valve:  
Ports: A, B: 1/2"BSPP  
Mounting: SHCS M10x65  
O Ring: BS-119



Ordering Code With Relief	Approx. Weight (kg)
VSSQ*-RC1	A~1.2 - D/S~2.5

DEFAULT SUPPLY: 210 BAR VALVES

NOTE: \* A= Aluminium, D= Ductile Iron, On request: S= Steel, SS= Stainless Steel



DWG: 3953