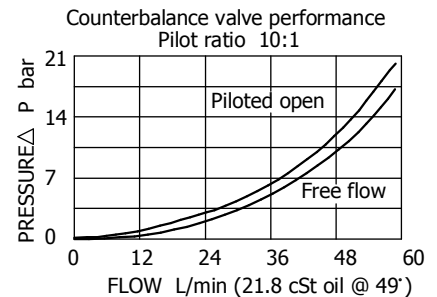
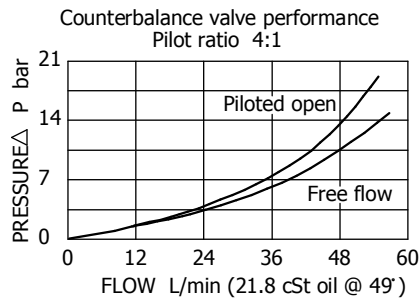
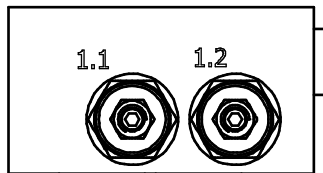
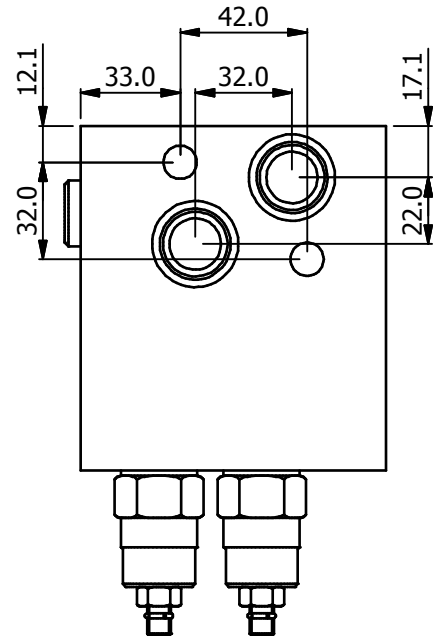
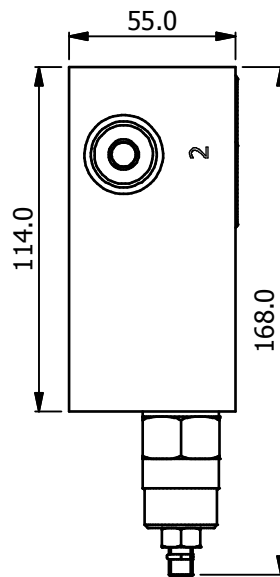
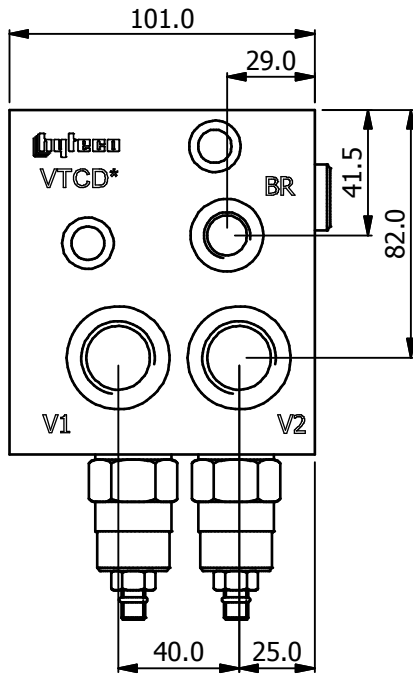
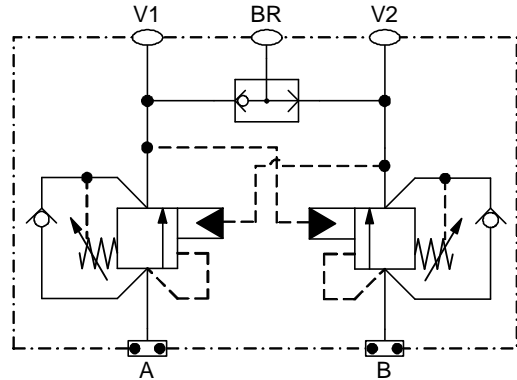


OMS DIRECT MOUNT DUAL C'BALANCE WITH BRAKE SHUTTLE

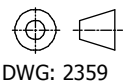
Recommended pressure: 210 Bar Aluminium
350 Bar Ductile Iron/Steel
Counter balance valve: Rated Flow: 60 L/min
Pilot ratio: 4:1 / 10:1
Ports: A, B: 1/2"BSPP
Mounting: SHCS M10x55
O Ring: BS-119



Ordering Code Pilot ratio: 4:1	Ordering Code Pilot ratio: 10:1	Approx. Weight (kg)
VTCD*-B1	VTCD*-B3	A~1.6 - D/S~4.4

DEFAULT SUPPLY: ALUMINIUM 210 BAR VALVES, DUCTILE IRON 350 BAR VALVES

NOTE: * A= Aluminium, D= Ductile Iron, On request: S= Steel, SS= Stainless Steel



DWG: 2359

Other sizes made to order, prices available upon application,
Details within this catalogue are subject to change without notification.

G.04.018